

cod.	m.	pz/pcs	L	asole
906.3	3	100	3000	nr. 9+9
906.6	6	50	6000	nr. 17+17



Sliding gates accessories



Galvanized steel components



• Use art.907 to join several tracks.



- Component to be fixed.
- Size the reinforced concrete foundation, check that it is adequate for the forces transmitted by the gate leaf.
- Before positioning the track, wait for the concrete to cure completely.
- Installation: * position the track on the foundation, use anchors M6-8.8 for fixing.



Check the product every 6/12 months.
In case of anomalies, prevent the usage of the hinge and the installed product must be checked by professional personnel.



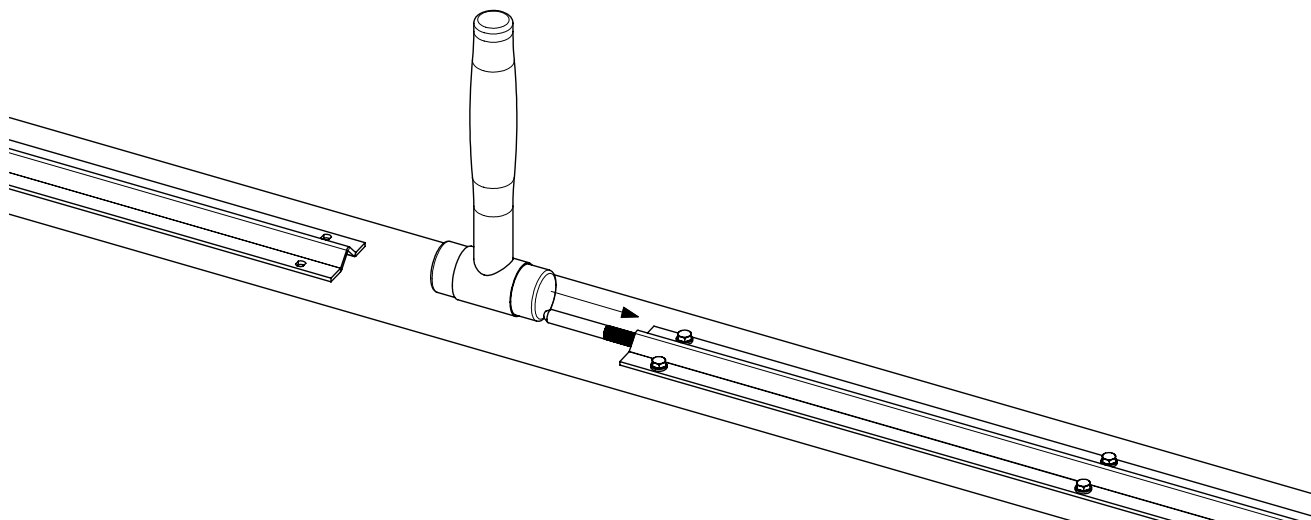
Responsibly dispose of the product and of its packaging respecting the local legislations of the Country of installation.

The company reserves the right to make technical as well as aesthetic changes without previous notice.

All responsibility due to an inappropriate use of the product is declined.

All drawings, photos, trademarks, logos, are of exclusive Combi Arialdo's property. All uses not expressly authorized by the company will be prosecuted.

1



2

