

B614

Automatic barrier 24V



Max beam length

5 m

Opening time

<2 s (80° with 3 m beam)

Use frequency

Continuous use



- Maximum Anti-crushing safety and motor with integrated encoder
- Speed adjustment and smooth operation.
- Integrated control unit in the upper part of the beam body, i.e easy maintenance and intuitive programming



Watch the video
vimeo.com/faacgroup/b614-en



DIMENSIONS AND TECHNICAL SPECIFICATIONS

Model	B614
Power supply voltage	220-240V ~ 50/60 Hz
Electric motor	With brushes 24V ---
Max. power	165 W
Max. torque	300 Nm
Material type	Steel
Type of treatment	Pre-hot dip galvanized, 20µm thick + polyester powder coated
Encoder	Incremental integrated in the motor
Type of deceleration	Electronic + mechanic
Type of beam	Rectangular and round
Operating ambient temperature	-20°C ÷ +55°C
Protection class	IP55 (Electronic control unit) - IP44
Weight	40 Kg
Dimensions (LxDxH)	360 x 250 x 1163 mm (installation base 305 x 230 mm)
Beam max length	5 m
Opening time	< 2 s (80°- 3m)
Use frequency	Continuous use
Electronic equipment	E614

(*) data referred to 230V- 50Hz.

FAMILY MODELS

Model	Item code
B614	104614

PACKS

B614 includes: barrier cabinet, electromechanical gearmotor and transmission unit, electronic control unit, installation accessories, a triangular release key.

Typical Installation Examples page. 337

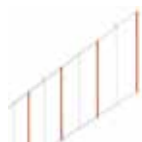
ELECTRONIC CONTROL UNITS



E614 Control unit
(built-in)
Info at page 150

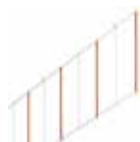
63001034

COMMON ACCESSORIES FOR ALL APPLICATIONS



Skirt kit length 2 m

428441



Skirt kit length 3 m

428446



Adjustable end foot for
beam support

428805



Support plate for fork

737621



Adjustable fork for
beam support

428806



Foundation plate

490183

>>



B614 integrated
flashing traffic light

410032



Supplementary
triangular release key
(10 pcs. pack)

713002



XBAT 24 emergency
battery kit [†]

390923

**OTHER
ACCESSORIES**

**Key operated
buttons**
page 174

**Transmitters
and receivers**
page 166

**Photocells and
columns**
page 182

Flashing lights
page 191

**Various
accessories**
page 192

ROUND BEAMS S AND SPECIFIC ACCESSORIES



Round beams S - Ø
75 mm
(adhesive labels not
included)

Length (mm)	Item code
2.300	428045
3.300	428042
4.300	428043
5.000	428002

The round S beams are supplied with protective rubber and for balancing reasons it is not possible to install on the beam profile the "active" safety edge.



Fixing bracket for
round beams S 615/620/
B614 *

428445



Articulated kit for
round beam S (max
4 m)

428444

>>

BALANCING SPRINGS FOR ROUND BEAMS S



Luminous cord 12 m
pack

390993



Adhesive reflector kit
(6 pcs.)

490117



Beam light connection
kit

390992



Balancing spring for
B614

721209

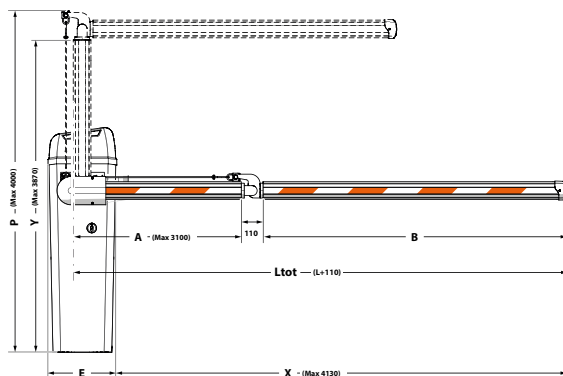


Double spring fittings
pack *

490186

NUMBER OF NEEDED SPRINGS

Number of springs	Beam (mm)	With lights (mm)	With skirt (mm)	Beam with end foot (mm)	With lights and end foot (mm)	Beam with lights and skirt (mm)	Beam with skirt and end foot (mm)	Beam with lights, skirt and end foot (mm)	With articulation kit (mm)
1	1900 ÷ 4400	1800 ÷ 4150	1700 ÷ 3740	1400 ÷ 3750	1400 ÷ 3650	1550 ÷ 3550	1750 ÷ 3250	1750 ÷ 2540	2300 ÷ 3300 3310 ÷ 3800 (if A ≤ 2500) 3810 ÷ 4800 (if A ≤ 2200)
2	4410 ÷ 4900	4160 ÷ 4900	3750 ÷ 4900	3760 ÷ 4900	3660 ÷ 4900	3560 ÷ 4900	3260 ÷ 4550	2550 ÷ 4100	3310 ÷ 3800 (if A > 2500) 3810 ÷ 4800 (if A > 2200)



Misure (mm)
Dimensions (mm)
Größe (mm)
Dimensie (mm)

A	P - 900
B	L - A
E	360
X	L - 170
L	A+B (Max 4300)

NOTE

- ◆ For correct balancing, installing lights on a round beam and a round beam with skirt for lengths greater than 2,800 mm requires a barrier cabinet for a beam length greater than 0.5 m.
- ◆ Use if two balancing springs are required.

RECTANGULAR BEAMS AND SPECIFIC ACCESSORIES



Rectangular standard beam

Length (mm)	Item code
2.315	428088
2.815	428089
3.815	428090
4.815	428091

The rectangular beams are supplied with protective rubber and for balancing reasons it is not possible to install on the beam profile the "active" safety edge.



Beam bracket for rectangular beam ♦

428342



Articulation kit - H max ceiling 3 m (only for rectangular standard beams)

428137

>>

BALANCING SPRINGS FOR RECTANGULAR BEAMS



Beam light connection kit

390992



Luminous cord 12 m pack

390993



Rectangular beam light connection kit ♦

390184



Balancing spring for B614

721209

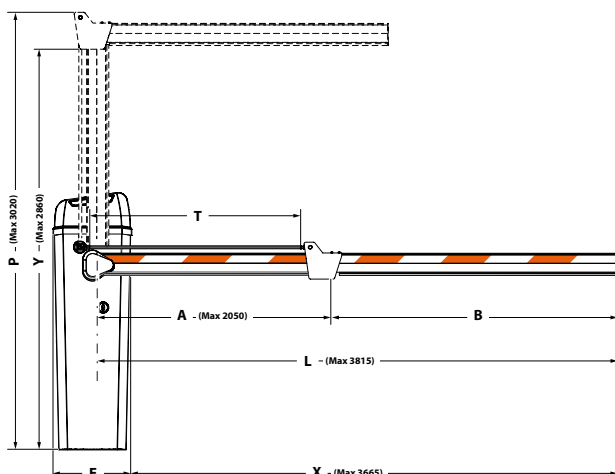


Double spring fittings pack ♦

490186

NUMBER OF NEEDED SPRINGS

Number of springs	Beam (mm)	With lights (mm)	With skirt (mm)	Beam with end foot (mm)	Beam with skirt and end foot (mm)	With articulation kit (mm)
1	1850 ÷ 4300	1800 ÷ 4100	1650 ÷ 3800	1350 ÷ 3700	1750 ÷ 3350	1850 ÷ 2815 2816 ÷ 3315 (if A ≤ 1600) 3316 ÷ 3815 (if A ≤ 1250)
2	4310 ÷ 4810	4110 ÷ 4810	3810 ÷ 4810	3700 ÷ 4810	3360 ÷ 4700	2816 ÷ 3315 (if A > 1600) 3316 ÷ 3815 (if A > 1250)



Misure (mm)
Dimensions (mm)
Größe (mm)
Dimensie (mm)

A	P - 970
B	L - A
T	A - 50
E	360
X	L - 150

NOTE

- ♦ The beam bracket is not included in the cabinet and must be ordered separately
- ◆ Use if two balancing springs are required.