

# Operators for Swing Gates



OPERATOR MT



OPERATOR MT1H



OPERATOR MK2



OPERATOR MK2H



OPERATOR M10

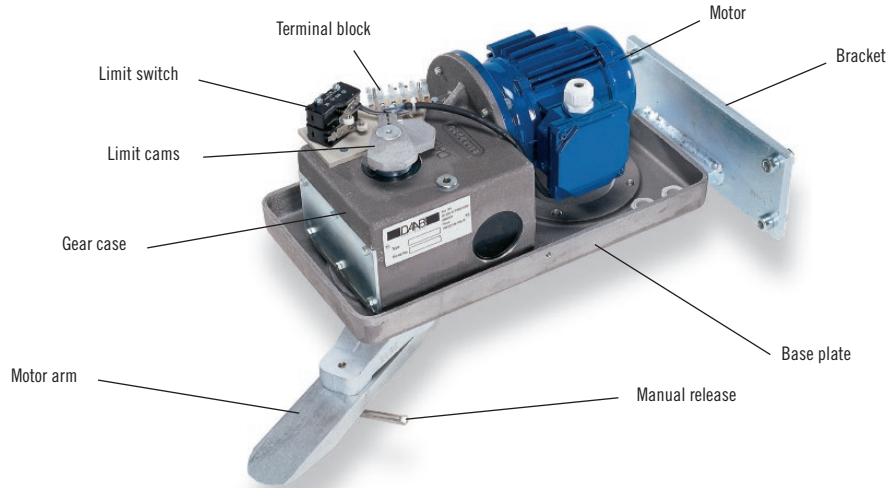
Although our philosophy may be simple – “To develop and manufacture first-class drive equipment for installation on gates, doors and barriers” – we have manufactured swing gate operators for more than 35 years according to this straightforward motto, so perhaps it comes as no surprise that our operators open and close hundreds of thousands of gates in arctic cold and desert heat alike. We never compromise on quality, which is why our operators can be found in locations wherever high security and reliability is in demand, such as Sweden’s central bank, correctional institutions, harbours, airports and industries all over the world.

DAAB operators are available in various speeds suited to the size of the gate. The operators are self-locking, which means that it is not possible to open or close a gate manually without releasing the operator arm. The manual-release mechanism is an easy-to-operate, lockable T-bolt. Thanks to a variety of different brackets and arm systems we are able to provide a solution for any gate, whether it be a special solution or a purely specialized variant. FAAC operators – quality and attention in every detail.



## OPERATOR MT AND MT1H

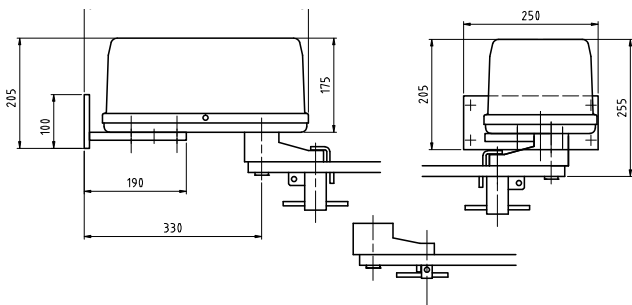
**MT and MT1H are used on gates with leaves up to 3500 mm and 300 kg.** Consult FAAC for other applications. Electric motors are available for single phase, or three-phase, 230 or 400 Volt. Twin worm gears type DAAB MT. The gear case is manufactured in aluminium. **Worm gears:** The worm gears are made from special bronze and machined in special, highly-stable precision tools. All shafts have bearings well dimensioned for the purpose. The gears are self-locking and the gear case is filled with a synthetic lubricant that withstands temperatures down to - 45°C.



MOTOR OUTPUT kW**	REVS rpm	CURRENT A	GEAR RATIO i	OUTPUT REVS rpm	TORQUE Nm	OPENING TIME sec*
0,25	1400	0,45	750	1,90	550	16
0,25	2800	0,45	750	3,80	275	8

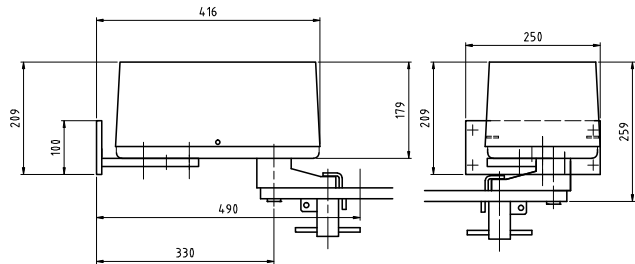
\*) Opening times apply to standard arms where the operator arm rotates 200° during opening/closing. \*\*) Applies to 3-phase, 400 Volt.

### OPERATOR MT



Base plate in silumin, cover in plastic.

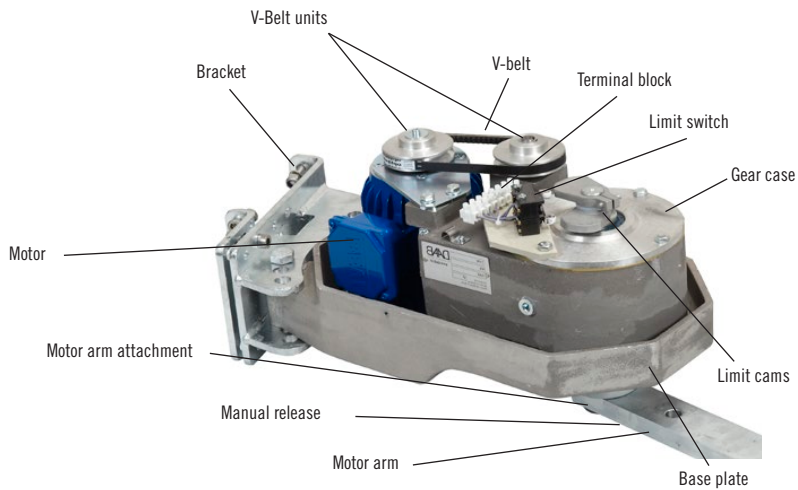
### OPERATOR MT1H



Base plate in hot-dip galvanized steel, cover in stainless steel.

## MOTORIZED OPERATOR MK2 AND MK2H

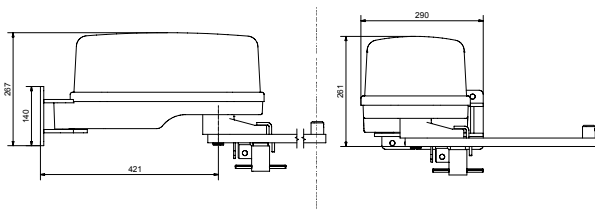
**MK2 and MK2H are used on gates with leaves up to 6000 mm and 500 kg.** Consult FAAC for other applications. Electric motors are available for single phase, or three-phase, 230, 400 or 500 Volt. Twin worm gears type DAAB MK. The gear case is manufactured in aluminium. **Worm gears:** The worm gears are made from special bronze and machined in special, highly-stable precision tools. All shafts have bearings well dimensioned for the purpose. The gears are self-locking and the gear case is filled with a synthetic lubricant that withstands temperatures down to - 45°C.



MOTORBELT PULLEY mm	MOTOR OUTPUT kw**	REVS rpm	CURRENT A	GEAR RATIO i	OUTPUT REVS rpm	TORQUE Nm	OPENING TIME sec*
40	0,37	1400	0,93	1400	1,00	1600	30
50	0,37	1400	0,93	1150	1,25	1275	24
71	0,37	1400	0,93	800	1,77	900	17
100	0,37	1400	0,93	570	2,49	650	12
125	0,37	1400	0,93	450	3,12	510	9
140	0,37	1400	0,93	400	3,49	450	8

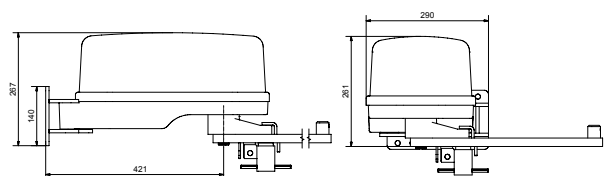
\*) Opening times apply to standard arms where the operator arm rotates 200° during opening/closing. \*\*) Applies to 3-phase, 400 Volt.

OPERATOR MK2



Base plate in silumin, cover in plastic.

OPERATOR MK2H

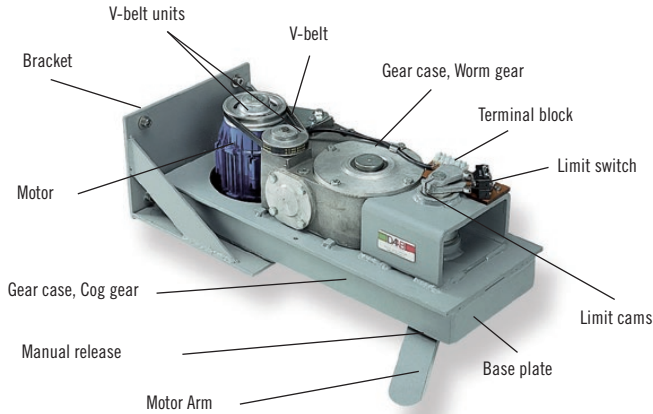


Base plate in hot-dip galvanized steel, cover in stainless steel..

## OPERATOR M10

**M10 is used on gates with leaves up to 12,000 mm and 1500 kg.** Consult FAAC for other applications. Electric motors are available for single phase, or three-phase, 230, 400 or 500 Volt. Twin worm gears type DAAB M10. The gear case is made of aluminium.

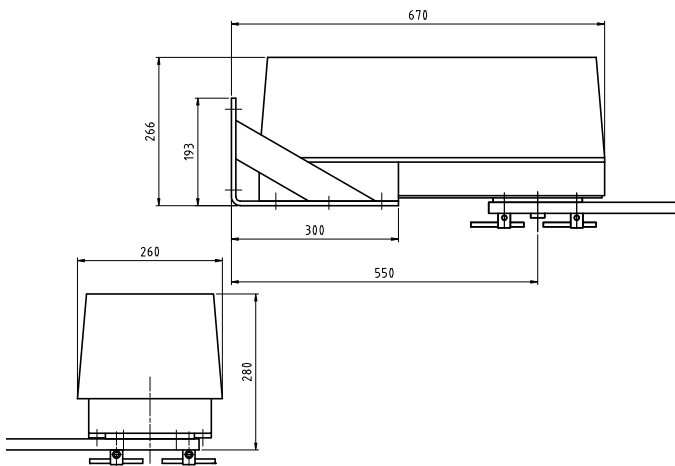
**Worm gears:** The worm gears are made from special bronze and machined in special, highly-stable precision tools. All shafts have bearings well dimensioned for the purpose. The gears are self-locking and the gear case is filled with a synthetic lubricant that withstands temperatures down to - 45°C.



MOTORBELT PULLEY mm	MOTOR OUTPUT kw**	REVS rpm	CURRENT A	GEAR RATIO i	OUTPUT REVS rpm	TORQUE Nm	OPENING TIME sec*
40	0,37	1400	0,93	2650	0,53	2600	56
50	0,37	1400	0,93	2100	0,66	2100	45
71	0,37	1400	0,93	1500	0,94	1500	32
100	0,37	1400	0,93	1050	1,33	1065	23
125	0,37	1400	0,93	850	1,66	850	18
140	0,37	1400	0,93	750	1,85	760	16

\*) Opening times apply to standard arms where the operator arm rotates 200° during opening/closing. \*\*) Applies to 3-phase, 400 V.

## OPERATOR M10



Base plate in hot-dip galvanized steel, cover in stainless steel.



FAAC NORDIC AB

BOX 125, SE-284 22 PERSTORP TEL. +46 (0)435 77 95 00 FAX +46 (0)435 77 95 29 info@faac.se

www.faac.se