

VIDEOKIT

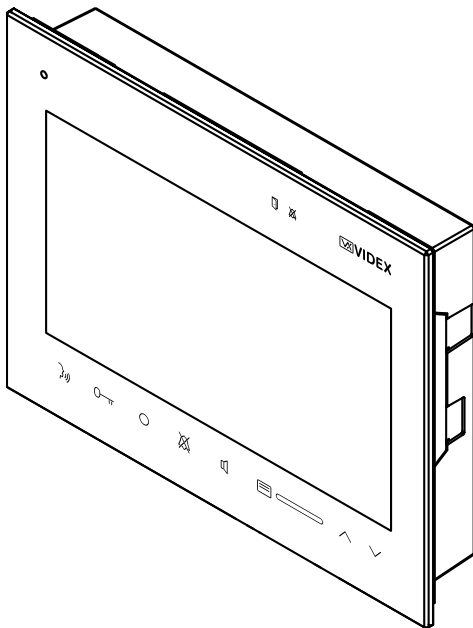
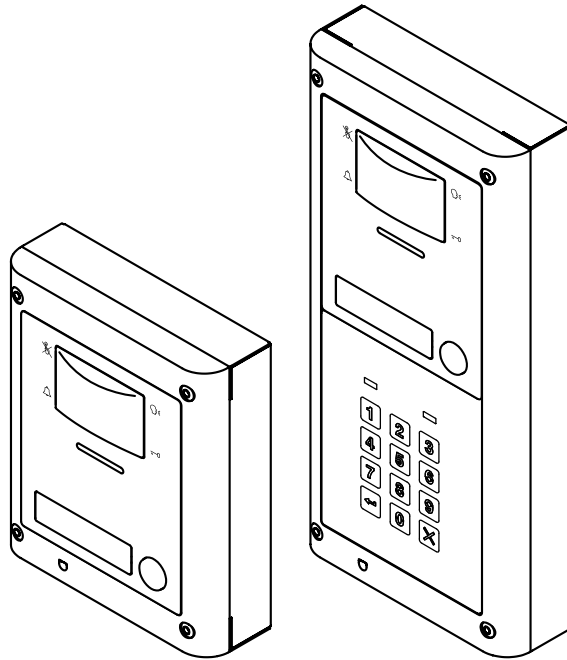
ESVK/KRV782 SERIES

"2 Wire" bus one way, two way videokit

ESVK Rev.0.2

ESVKX Rev.0.2

ESVKC Rev.0.3



KRV782

Installation handbook

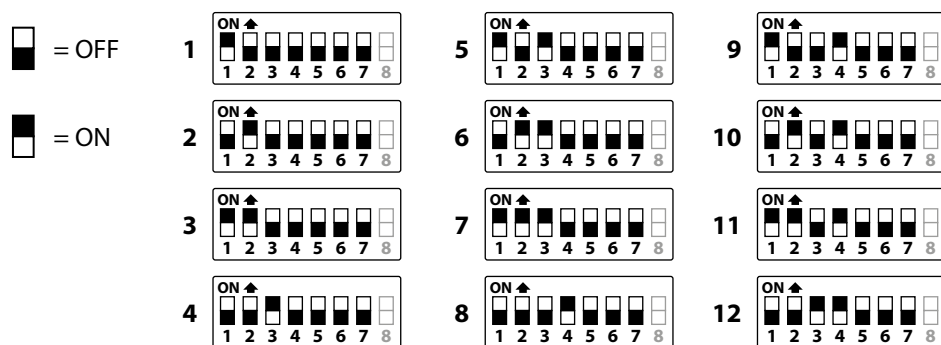
Index

System components and available versions	3
General directions for installation	6
Art. 4384/4384X Speaker unit with built-in camera & proximity key reader	10
Art. 4901 Digital codelock module.....	17
4000 Series surface and flush mounting door station installation	21
Art. KRV782 7" Hands free videomonitor	23
Kristallo Series 7" flush and surface videomonitor wall mounting instructions.....	27
Art. 2321-2321/P Power supplies	29
Art. 2322 Power supply converter from BUS line to 12 Vdc	30
Art. 4042 .. 4045 Single row button expansion modules	31
Art. 4042D .. 4045D Double row button expansion modules	31
Installation diagrams	34

NOTES AND SUGGESTIONS

- All diagrams refer to all kits versions: flush or surface, colour or black & white.
- Dashed connections refer to optional connections ("Local bell", "Push to exit" & "Door monitor").
- Some diagrams show how to connect a 12Vdc electric lock: these directions are suitable for all diagrams in this manual.
- Each time a setting is changed on a videophone (address, extension, number of rings etc.), the videophone must be disconnected from the relevant connection board then after a few seconds reconnected again to allow the recognizing of the new setting.
- All diagrams shown are valid for B&W or colour systems with surface or flush mount door station.

ADDRESSES 1..12 TABLE FOR DIP-SWITCH BANKS WITH ON POSITION UP



DECLARATION OF RESPONSIBILITY

This manual has been written and revised carefully. The instructions and the descriptions which are included in it are referring to VIDEX parts and are correct at the time of print. However, subsequent VIDEX parts and manuals, can be subject to changes without notice. VIDEX Electronics S.p.A. cannot be held responsible for damages caused directly or indirectly by errors, omissions or discrepancies between the VIDEX parts and the Manual.

WE RECOMMEND
This equipment is installed by a Competent Electrician, Security on Communications Engineer

System components and available versions

ESVK/KRV782 Colour videokit.

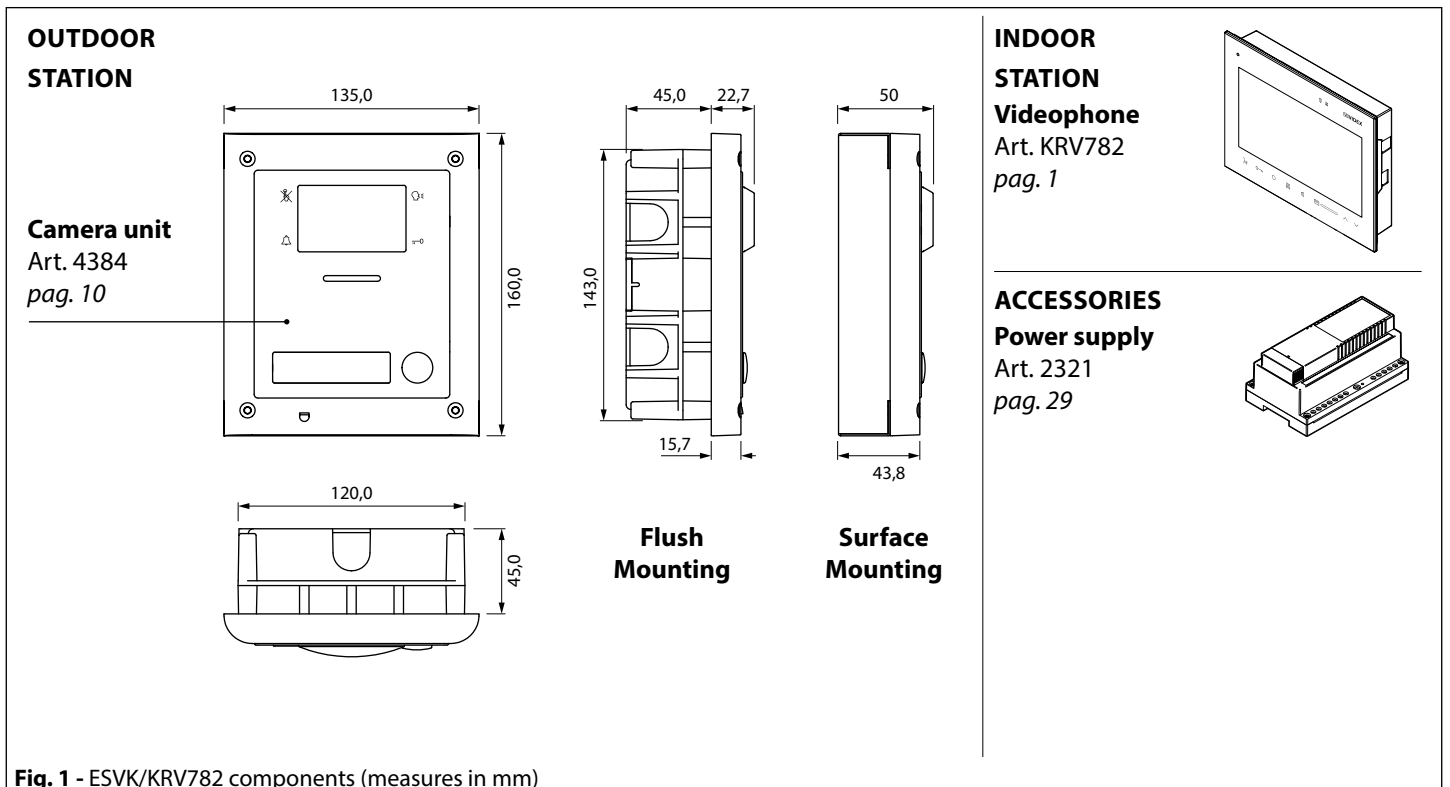

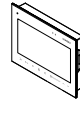

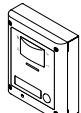
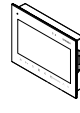


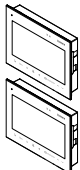

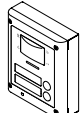
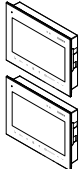



Fig. 1 - ESVK/KRV782 components (measures in mm)

ONE WAY VERSIONS	ESVK-1/KRV782 - flush mounting  1 Outdoor station composed of: 1 Art. 4384-1: 1 button camera unit 1 Art. 4851: Flush mounting box	 1 Colour videophone Art. KRV782	 1 Power supply Art. 2321
	ESVK-1S/KRV782 - surface mounting  1 Outdoor station composed of: 1 Art. 4384-1: 1 button camera unit 1 Art. 4881: Surface mounting box	 1 Colour videophone Art. KRV782	 1 Power supply Art. 2321
TWO WAY VERSIONS	ESVK-2/KRV782 - flush mounting  1 Outdoor station composed of: 1 Art. 4384-2: 2 buttons camera unit 1 Art. 4851: Flush mounting box	 2 Colour videophones Art. KRV782	 1 Power supply Art. 2321
	ESVK-2S/KRV782 - surface mounting  1 Outdoor station composed of: 1 Art. 4384-2: 2 buttons camera unit 1 Art. 4881: Surface mounting box	 2 Colour videophones Art. KRV782	 1 Power supply Art. 2321

ESVKX/KRV782 Colour videokit with embended proximity key reader.

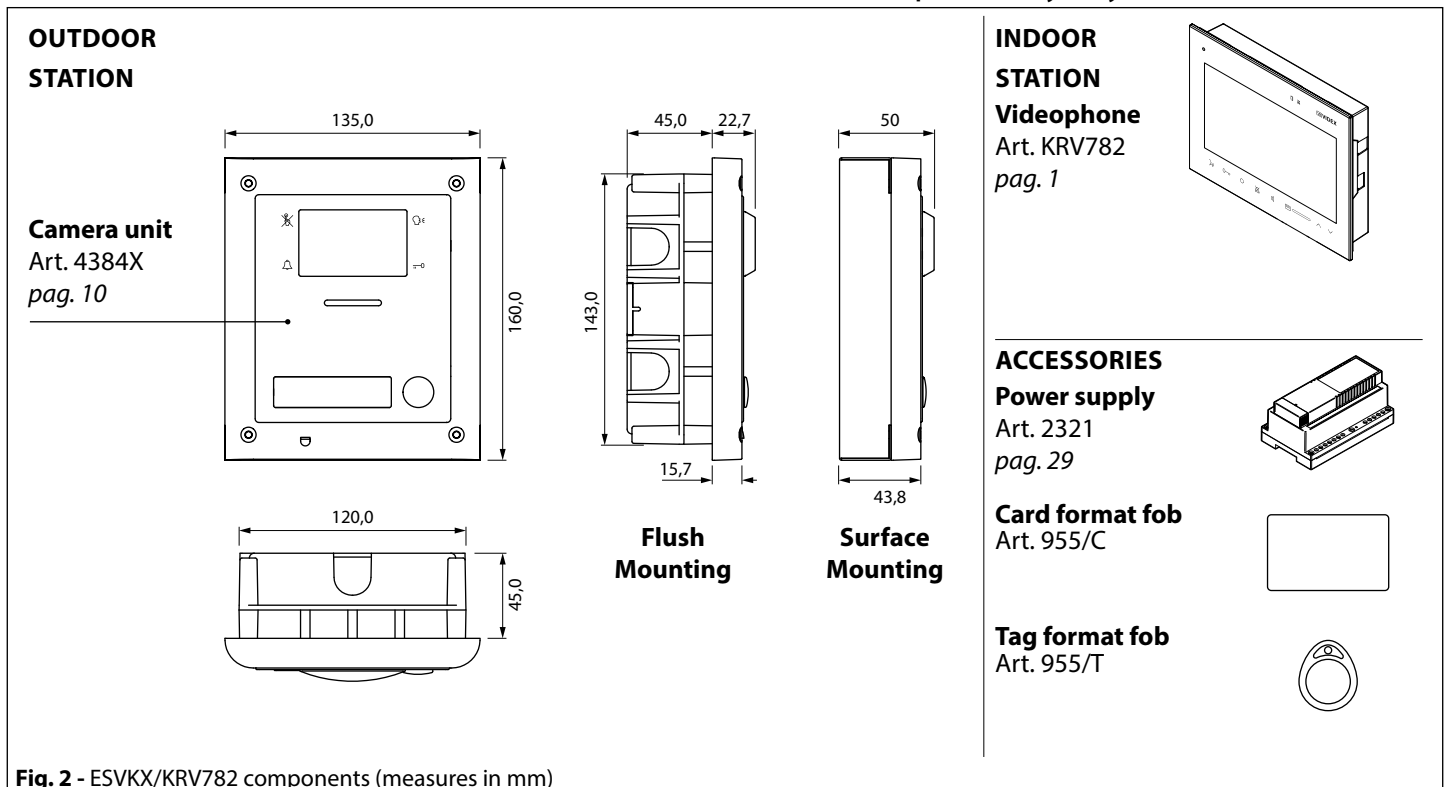

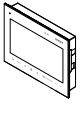



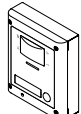
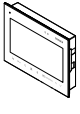




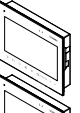



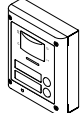
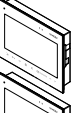





Fig. 2 - ESVKX/KRV782 components (measures in mm)

ONE WAY VERSIONS	ESVKX-1/KRV782 - flush mounting  1 Outdoor station composed of: 1 Art. 4384X-1: 1 button camera unit 1 Art. 4851: Flush mounting box	 1 Colour videophone Art. KRV782	 1 Power supply Art. 2321  1 Card format fob Art. 955/C  2 Tag format fobs Art. 955/T
	ESVKX-1S/KRV782 - surface mounting  1 Outdoor station composed of: 1 Art. 4384X-1: 1 button camera unit 1 Art. 4881: Surface mounting box	 1 Colour videophone Art. KRV782	 1 Power supply Art. 2321  1 Card format fob Art. 955/C  2 Tag format fobs Art. 955/T
TWO WAY VERSIONS	ESVKX-2/KRV782 - flush mounting  1 Outdoor station composed of: 1 Art. 4384X-2: 2 buttons camera unit 1 Art. 4851: Flush mounting box	 2 Colour videophones Art. KRV782	 1 Power supply Art. 2321  1 Card format fob Art. 955/C  4 Tag format fobs Art. 955/T
	ESVKX-2S/KRV782 - surface mounting  1 Outdoor station composed of: 1 Art. 4384X-2: 2 buttons camera unit 1 Art. 4881: Surface mounting box	 2 Colour videophones Art. KRV782	 1 Power supply Art. 2321  1 Card format fob Art. 955/C  4 Tag format fobs Art. 955/T

ESVKC/KRV782 Colour videokit plus a codelock module.

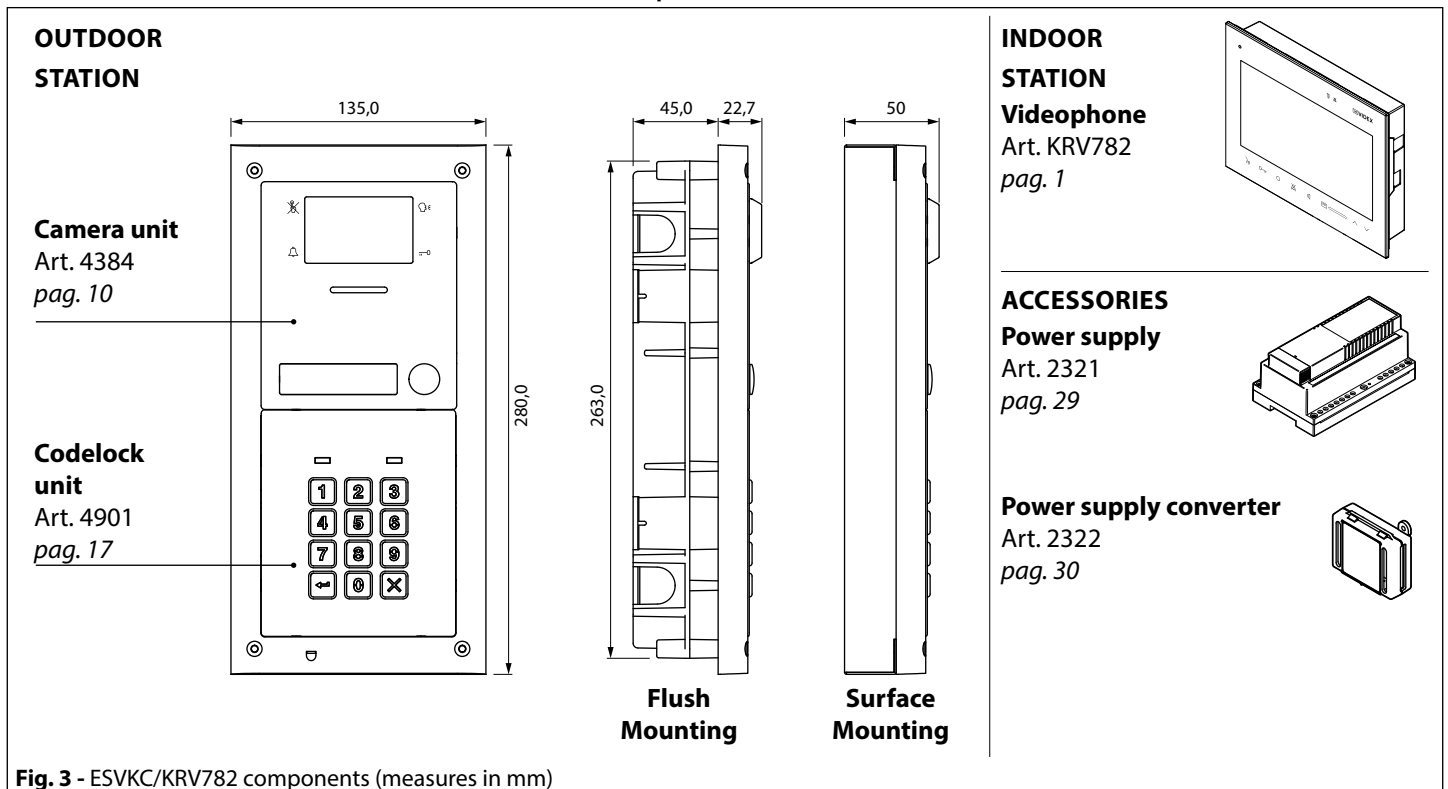
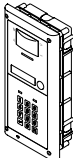
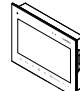


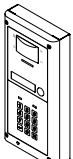

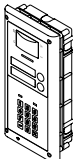
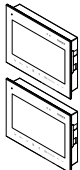

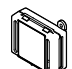
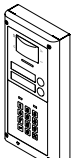
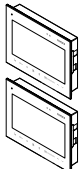


Fig. 3 - ESVKC/KRV782 components (measures in mm)

ONE WAY VERSIONS			
	ESVKC-1/KRV782 - flush mounting 1 Outdoor station composed of: 1 Art. 4384-1: 1 button camera unit 1 Art. 4901: Codelock module 1 Art. 4852: Flush mounting box	 1 Colour videophone Art. KRV782	 1 Power supply Art. 2321  1 Power supply converter Art. 2322
		ESVKC-1S/KRV782 - surface mounting 1 Outdoor station composed of: 1 Art. 4384-1: 1 button camera unit 1 Art. 4901: Codelock module 1 Art. 4882: Surface mounting box	 1 Colour videophone Art. KRV782
TWO WAY VERSIONS			
	ESVKC-2/KRV782 - flush mounting 1 Outdoor station composed of: 1 Art. 4384-2: 2 buttons camera unit 1 Art. 4901: Codelock module 1 Art. 4852: Flush mounting box	 2 Colour videophones Art. KRV782	 1 Power supply Art. 2321  1 Power supply converter Art. 2322
		ESVKC-2S/KRV782 - surface mounting 1 Outdoor station composed of: 1 Art. 4384-2: 2 buttons camera unit 1 Art. 4901: Codelock module 1 Art. 4882: Surface mounting box	 2 Colour videophones Art. KRV782

General directions for installation

CABLE TYPES AND CROSS SECTIONAL AREAS

The ESVK two wire videokits with 7" monitors can use several types of cables but depending on their specification will allow different distances up to 250 meters maximum. We do not recommend the use of shielded cables because of the high eddy capacitance. It is also not advised to double up on cables as this will also increase the capacitance. The following table specifies values of resistance, capacitance and maximum distances achievable for several types of cables (capacitance and resistance values are referring to 100 metres of cable).

Cable Type*	Wires Section (mm2)	Resistance (Ohm) per 100 metres	Capacitance (nF) per 100 metres	**Maximum Distance between outdoor unit and the farthest indoor unit (metres)	***Maximum Distance between power supply and the farthest indoor unit
VIDEX CM2	0.50	3.2	8	250	100
CAT5 UTP/CW1308	0.22	8	4.9	100	50
Std Telephone Cable	0.28	6.5	5.5	150	50
Standard wire	0.5	2	6.5	70	30

- * It is important that the video intercom system cables do not run with mains or other high power cables. Noise from such cables (electromagnetic interference) may cause noises on audio/video and lost functionality. In cases where this advice can not be followed or when existing cables are to be used it will be necessary to carry out tests to assess the quality and functionality of the installation.
- ** This distance represents the maximum cable length from the outdoor unit to the farthest indoor unit. There are two important characteristics to consider when calculating cable, the resistance and the capacitance. The resistance of the cable from power supply to end point must be less than 10 Ohms and can be calculated from point to point. The capacitance of the cable must not exceed 40nF and is an accumulation of all lengths and branches of the cable. For example: because of cable capacitance, the Videx CM2 cable used in a single system cannot exceed the 400m considering all lengths and branches of the cable.
- *** This distance represents the maximum total cable length from the power supply unit to the farthest indoor unit. With more than one indoor unit, each sum of the cable segment from the outdoor unit to the power supply unit plus the cable segment from the power supply unit to each videophone, cannot exceed the maximum mentioned in the fourth column of the table above.

In case of use of cables not in conformity with above specification it is possible to experience deterioration of digital and video signals. We suggest to use twisted cables with maximum resistance of 10 Ohm (between the furthest door station and the furthest videophone) and maximum capacitance of 40nF (this value must be calculated considering all the cables used in the system; the capacitance/metres value is normally specified on the cable package or directly on the cable).

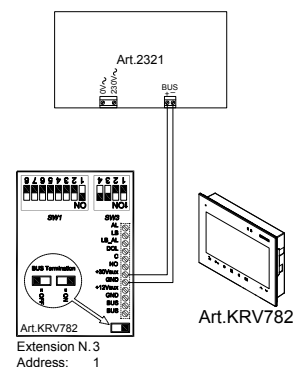
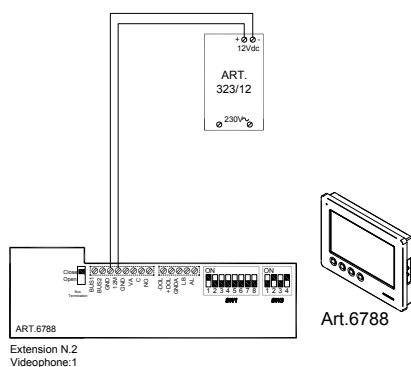
BUS DEVICE SETUP AND VIDEO DISTRIBUTION

- When changing dip switch settings, disconnect the device from the bus for a minimum of 1 minute to allow the unit to fully discharge.
- When you have more than one device in the same apartment, all the devices must be connected to the same video distributor (Art. 317N): this means that you cannot use two video distributors Art. 318 for one apartment where you have 4 videophones/intercoms.
- After completing the installation proceed to testing. The video level gain can be adjusted at several points including distributors, entrance exchanger and bus boosters.

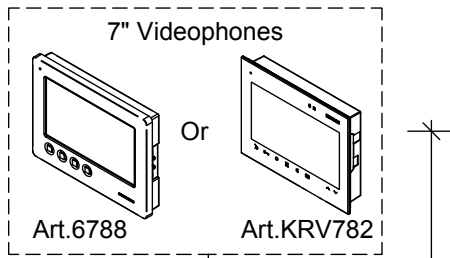
HOW TO CONNECT A LOCAL POWER SUPPLY

The drawing below shows how to connect a local power supply when required (i.e. when you have 4 videophones with the same address that must be switched on at the same time). In both cases switch 4 of SW3 must be set to the ON position.

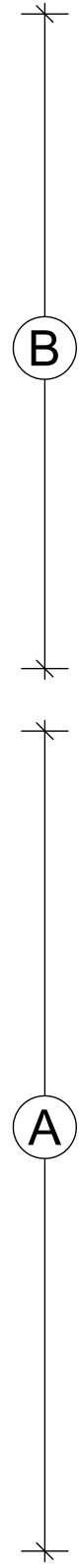
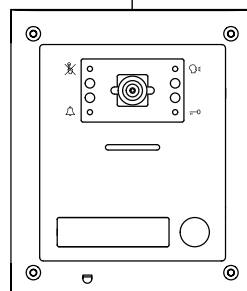
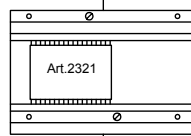
⚠ NOTE! OBSERVE CONNECTION POLARITIES AS SHOWN IN THE DIAGRAM BELOW.



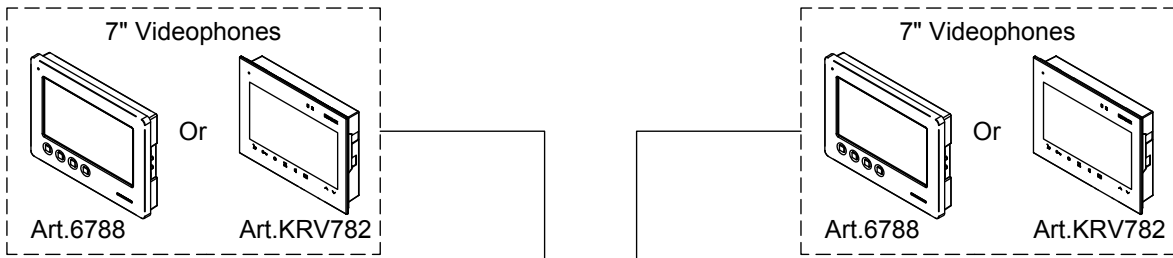
CABLES LENGTH & SIZE



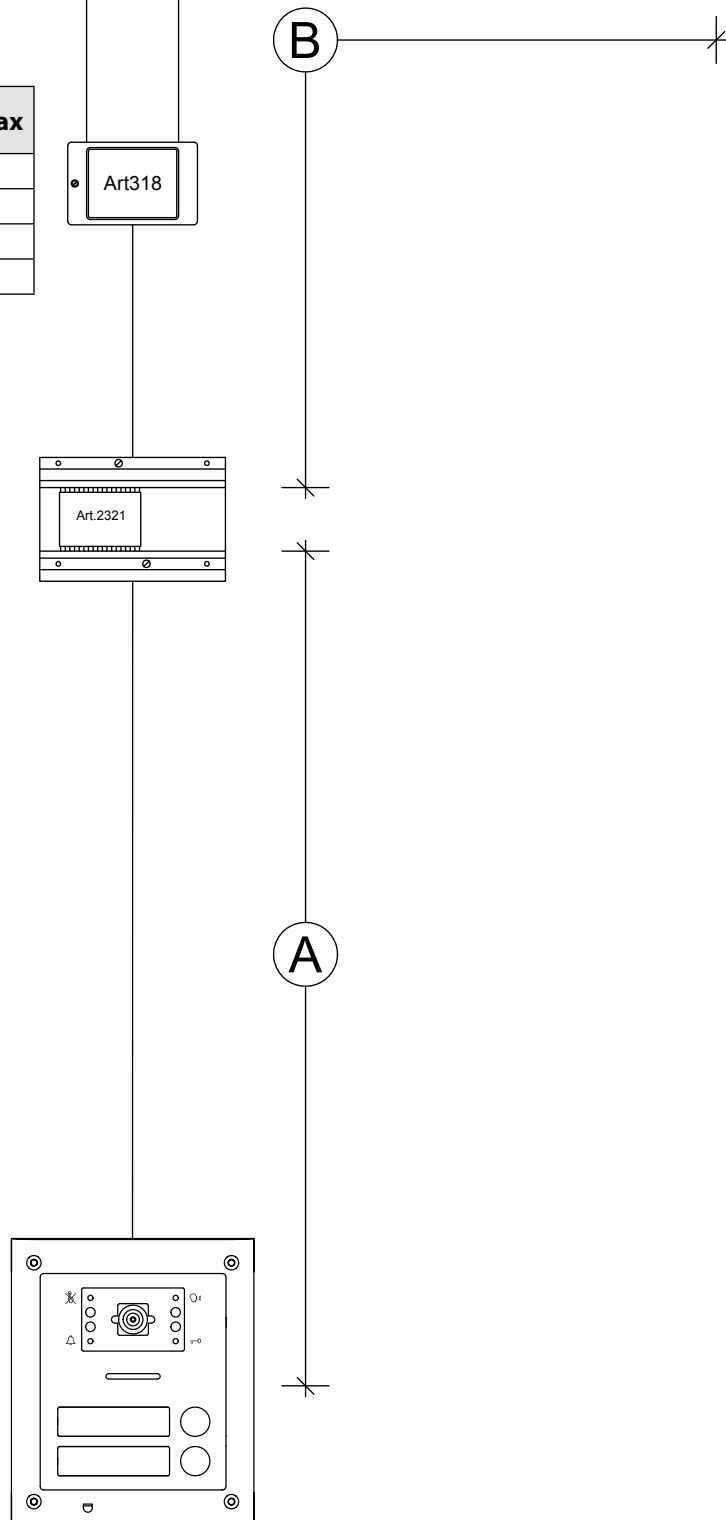
Cable Type	Wires Section (mm2)	A+B	B max
VIDEX CM2	0.50	250	100
CAT5 UTP/CW1308	0.22	100	50
Std Telephone Cable	0.28	150	50
Standard wire	0.5	70	30



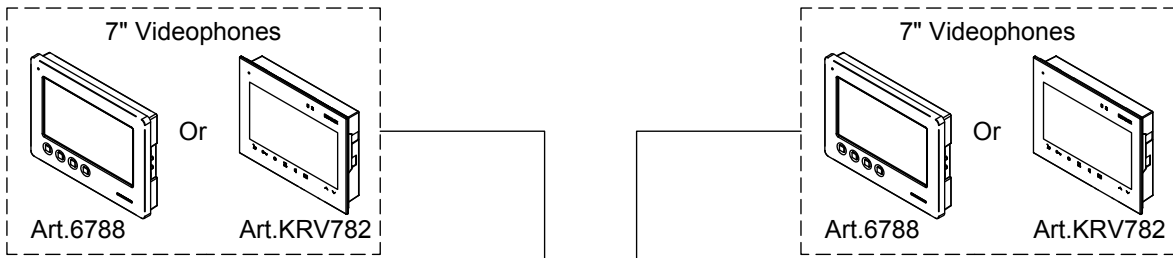
CABLES LENGTH & SIZE



Cable Type	Wires Section (mm2)	A+B	B max
VIDEX CM2	0.50	250	100
CAT5 UTP/CW1308	0.22	100	50
Std Telephone Cable	0.28	150	50
Standard wire	0.5	70	30

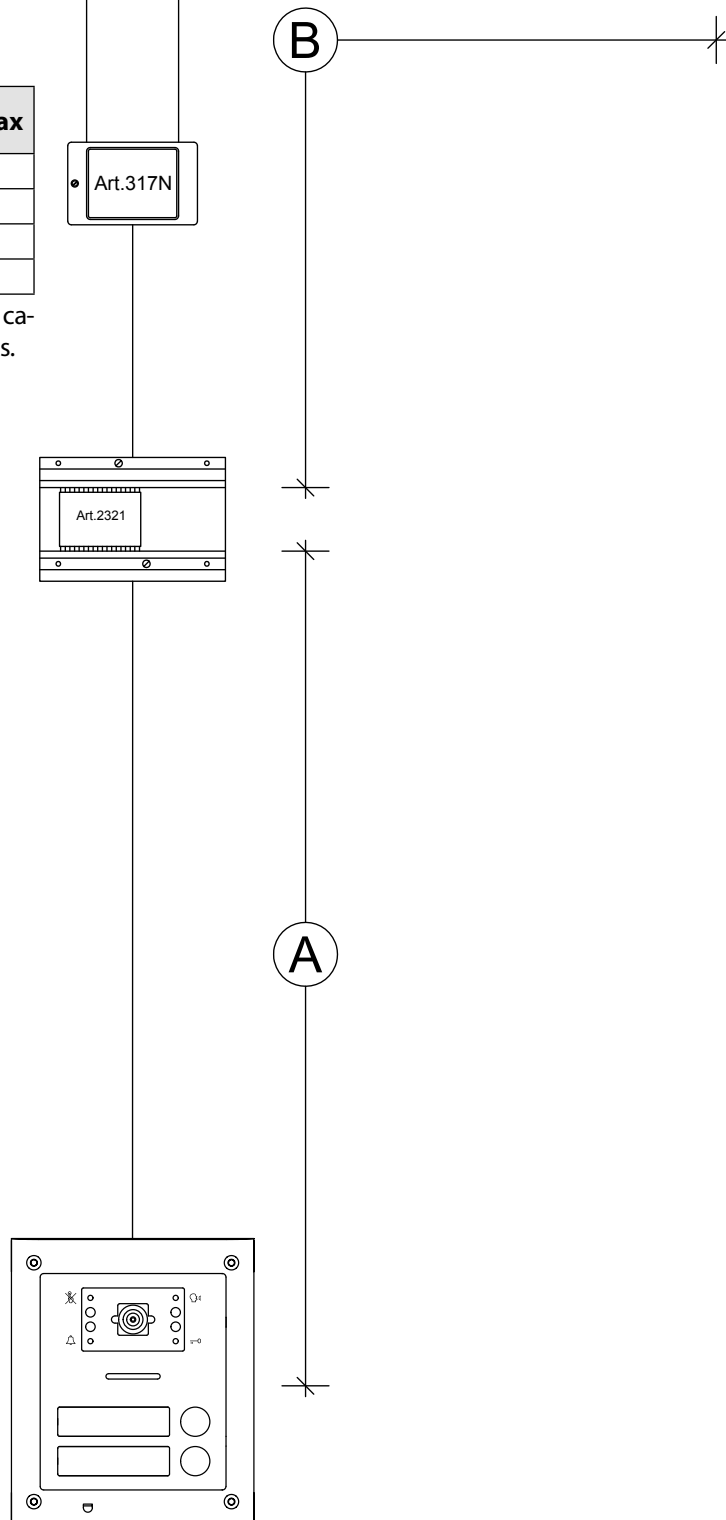


CABLES LENGTH & SIZE



Cable Type	Wires Section (mm2)	A+B	B max
VIDEX CM2	0.50	300	150
CAT5 UTP/CW1308	0.22	100	50
Std Telephone Cable	0.28	150	50
Standard wire	0.5	70	30

* Using the active distributor Art. 317N, the maximum cable length using CM2 cable increases up to 300 metres.



Art. 4384 Speaker unit with built-in camera

Art. 4384X Speaker unit with built-in camera & proximity key reader

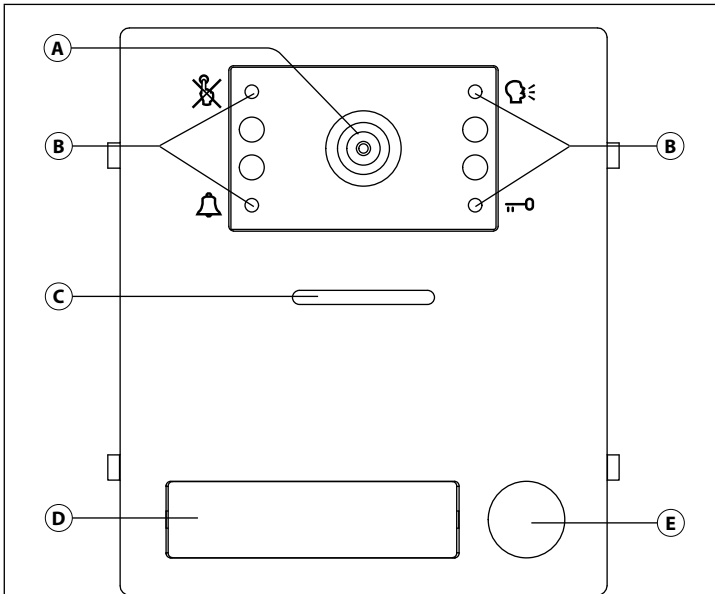


Fig. 1 Front

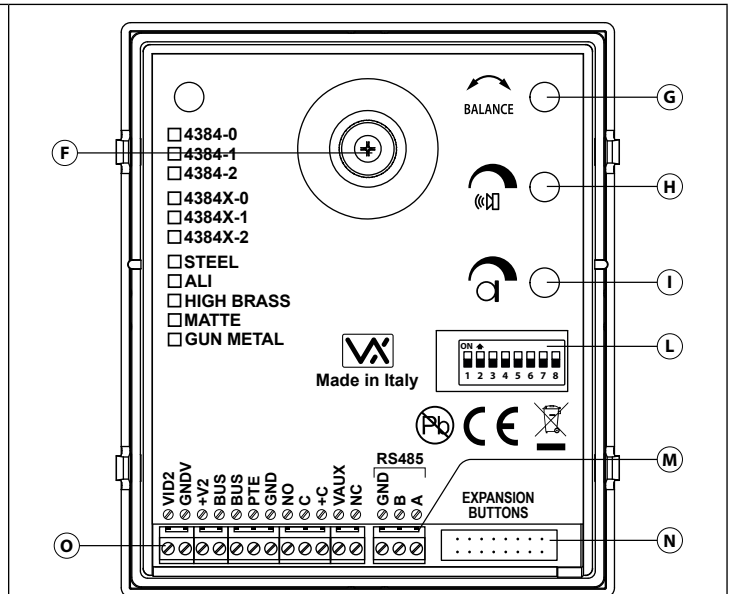


Fig. 2 Back

DESCRIPTION

Speaker unit module for VX2300 digital system with built-in colour camera with autoiris lens and white light illumination LEDs. Art. 4384X versions are also equipped with a built-in proximity key reader and programming modes.

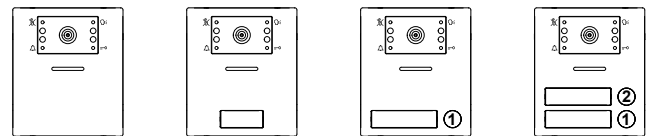
The unit circuitry incorporates:

- The transmitting amplifier with microphone and volume control;
- The receiving amplifier with volume control;
- The audio balance circuit with "BALANCE" control;
- The enslavement relay to enable the electric lock (3 contacts: common, normally open and normally closed). It can work also as capacitor discharge to supply directly the electric lock;
- The call buttons from (0, 1 or 2 depending on the module version);
- The illumination LEDs for the card name holder;
- The camera comprised of illumination LEDs.

LEGEND

- (A) Camera with illumination LEDs
- (B) Operation LEDs
- (C) Loudspeaker
- (D) Card name holder with built-in proximity key reader (only Art. 4384X versions)
- (E) Call push button
- (F) Camera horizontal and vertical adjustment (not available in Wide Angle versions)
- (G) Balance
- (H) Loudspeaker volume
- (I) Microphone volume
- (L) 8 way dip-switch
- (M) RS485 connection terminals (only Art. 4384X versions)
- (N) IDC male connectors
- (O) Connection terminals

AVAILABLE VERSIONS



Art. 4384-0 Art. 4384X-0 Art. 4384-1 Art. 4384-2
Art. 4384X-1 Art. 4384X-2

LEDS

	The first LED (red), if switched ON, indicates that it is not possible to make a call because a call or a conversation is in progress (from the outdoor station from which you are calling or from another outdoor station on systems with multiple entrances).
	The second LED (red), if switched ON, indicates that a call is in progress. The LED will be switched OFF when the call is answered.
	The third LED (yellow), if switched ON, indicates that it is possible to speak. The LED will be switched OFF at the end of conversation (or at the end of the conversation time).
	The fourth LED (green), if switched ON, means that the door lock has been operated. It will be switched OFF at the end of the "door opening" time.

CONTROLS

	Balance Prevent Larsen effect on bidirectional audio conversation.
	Loudspeaker volume Adjust the loudspeaker volume. Rotate clockwise to increase or anti-clockwise to decrease
	Microphone volume Adjust the microphone volume. Rotate clockwise to increase or anti-clockwise to decrease

PROGRAMMING

The programming consists of the following settings:

- Unit ID (1..15);
- Door opening time (2 or 6 seconds);
- Conversation time (1 or 2 minutes);
- Addressing order of the buttons.
- Main camera selection for Art. 4384 versions or programming mode for Art. 4384X versions.

The settings are carried out through the 8 way dip-switch (reference Ⓛ on **Fig. 2**) accessible from the rear side of the module.

PROGRAMMING THE UNIT ID

Switch	Nr.1	Nr.2	Nr.3	Nr.4	ID
	OFF	OFF	OFF	OFF	1
	ON	OFF	OFF	OFF	2
	OFF	ON	OFF	OFF	3
	ON	ON	OFF	OFF	4
	OFF	OFF	ON	OFF	5
	ON	OFF	ON	OFF	6
	OFF	ON	ON	OFF	7
	ON	ON	ON	OFF	8
	OFF	OFF	OFF	ON	9
	ON	OFF	OFF	ON	10
	OFF	ON	OFF	ON	11
	ON	OFF	ON	ON	12
	OFF	OFF	ON	ON	13
	ON	OFF	ON	ON	14
	OFF	ON	ON	ON	15
	ON	ON	ON	ON	16

PROGRAMMING THE DOOR OPENING TIME

Switch	Nr.5	Setting Up
	OFF	= 2 seconds
	ON	= 6 seconds

PROGRAMMING THE CONVERSATION TIME

Switch	Nr.6	Setting Up
	OFF	= 1 minute
	ON	= 2 minutes

PROGRAMMING THE ADDRESSING ORDER OF THE BUTTONS

Switch	Nr.7	Setting Up	
		Button matrix	Internal buttons
	OFF	= 1 - 40	= 1, 2
	ON	= 41 - 80	= 41, 42

PROGRAMMING THE MAIN CAMERA SELECTION (ONLY ART. 4384 VERSIONS)

Switch	Nr.8	Setting Up
	OFF	= Main camera internal
	ON	= Main camera external

PROGRAMMING MODES (ONLY ART. 4384X VERSIONS)

Switch 8 sets the programming mode: "Standard" (switch in OFF position) or "Advanced" (switch in ON position).

In "Standard" mode settings are made by switches from 1 to 7.

In "Advanced" mode all programming is made via the "VX2X00 Programmer" PC software connected to RS485 via an Art. 481 interface. **Please note that in this case the programming made by switches from 1 to 7 will be ignored.**

Switch	Nr.8	Setting Up
	OFF	"Standard" programming mode
	ON	"Advanced" programming mode

Art. 4384 Speaker unit with built-in camera

Art. 4384X Speaker unit with built-in camera & proximity key reader

RS485 CONNECTION

With switch 8 in ON position the module can be connected using an RS485 bus connection via an RS485 to USB converter (Art. 481) as shown in **Fig. 3**.

This method of connection can be used for programming and setup of the module.

Over distances shorter than 500mt the bus termination jumper on the Art. 481 can be set to the OPEN position.

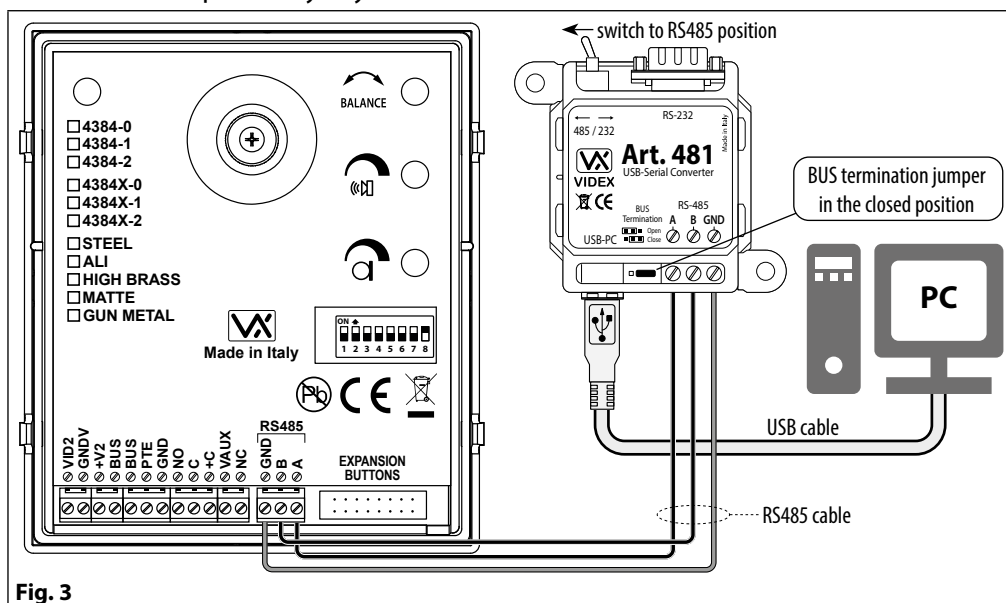


Fig. 3

404x FLAT CABLE CONNECTION

To power the button module connect one of the inbuilt IDC male connectors to the IDC male connector of the camera unit module through the flat cable provided. Further buttons expansion modules can be connected to the free IDC male connector of the previous expansion module (**Fig. 4**).

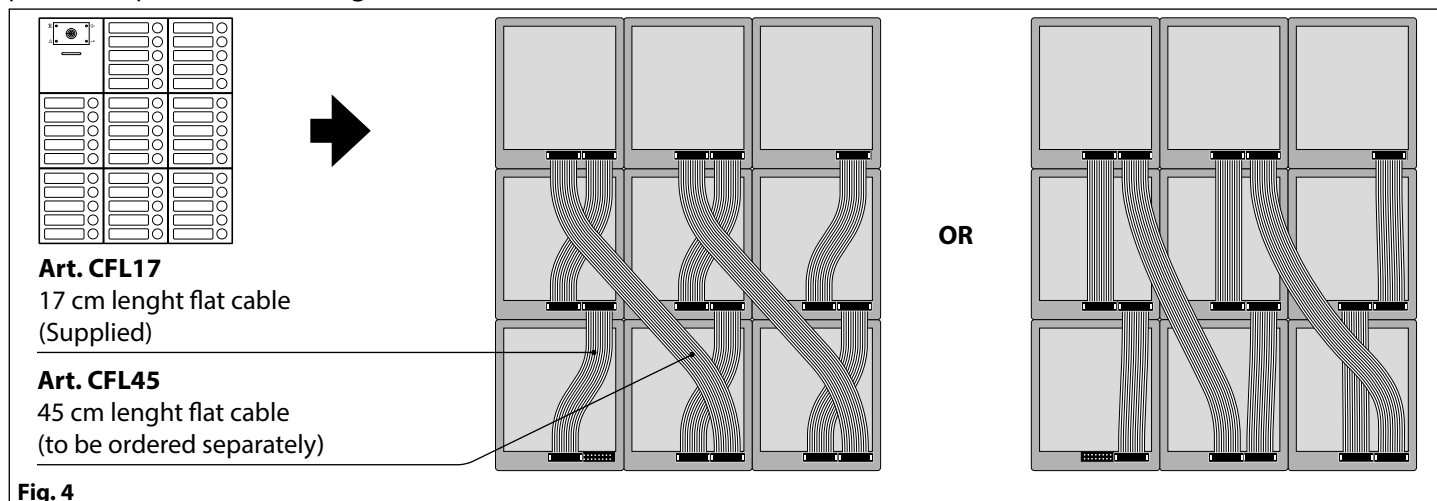




Fig. 4

J2 AND J1 JUMPERS BACKLIT LEDS SETTINGS

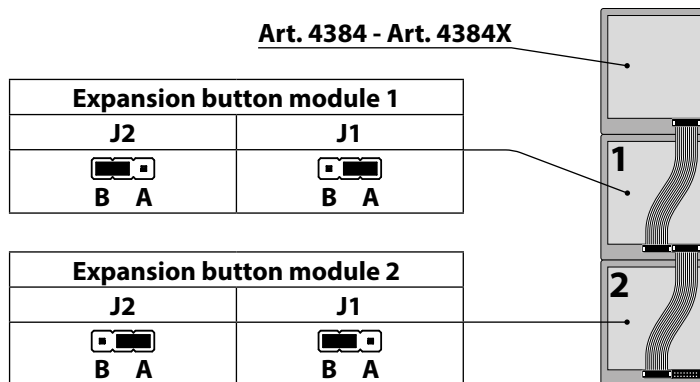
For proper functioning please set **J2** and **J1** jumpers of any connected button expansion module Art. 404x as shown in the table below.

NOTE: when more modules are connected, following the connection order, every two modules, the previous must be set as module 1 while the next must be set as module 2.

USING ONE SINGLE EXPANSION BUTTON MODULE

J2	J1
 B A	 B A

USING A COUPLE EXPANSION BUTTON MODULES



NOTE: to connect more than 2 expansion button modules, please refer also to the installation diagrams.

Art. 4384 Speaker unit with built-in camera

Art. 4384X Speaker unit with built-in camera & proximity key reader

HOW TO CONNECT AN ELECTRIC LOCK

The "door-open" relay can operate either as "dry contact" or "capacitive discharge" mode.

- In "dry contact" operation mode the relay works in a traditional way, a power supply or a power source is needed to operate the lock (12-24Vac/dc 2A max), and activation lasts according to the door opening time programmed.
- In "capacitive discharge" operation mode the relay's contacts, when active, supply directly the lock (12Vac/dc 1A max) for a moment. You don't need a power supply for the lock and the door opening time programmed does not affect the activation time.

A possible deterioration of the mechanical performance of the electric lock, might cause the "capacitive discharge" to malfunction in time. In case the electric lock is used in very dusty environments or in peculiar climate conditions, we suggest to use the "open door" relay in "dry contact" mode.

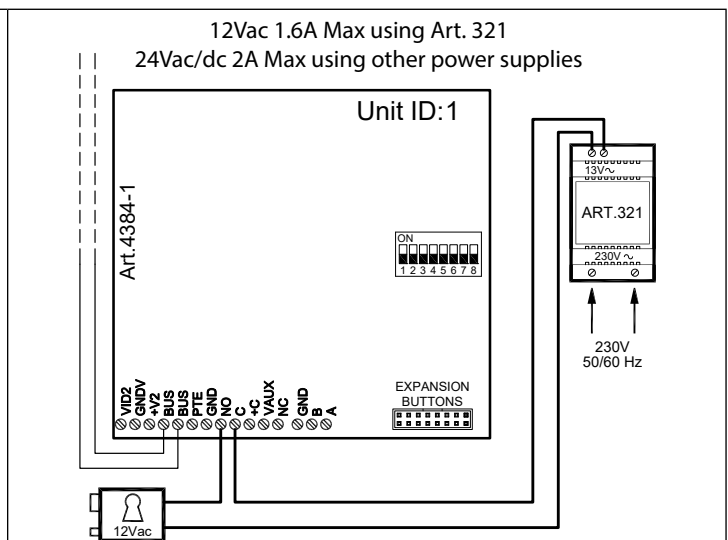
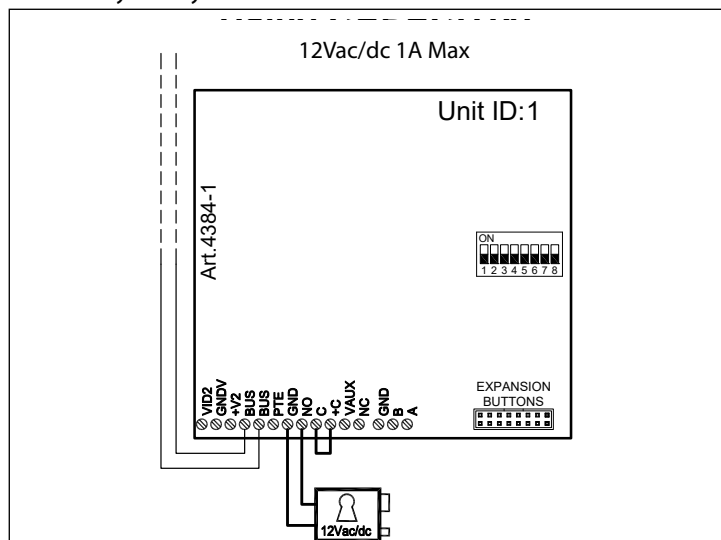


Fig. 5 Using capacitive discharge

Fig. 6 Using separate P.S.U.

OPERATION

Once the device has been programmed and connected correctly, it will generate upon each pressing of a push button, a code corresponding to the PHONE ID (address programmed on the 8 way dip-switch inside each telephone) of the telephone being called.

TO CALL A USER

Press the relevant button to call the user: 2 quick beeps will indicate if the system is busy, otherwise the call will be signalled by a slow intermittent acoustic signal until the call is answered, the conversation time expires (programmable time) or the call is interrupted by pressing a push button for a minimum of 2 seconds.

A short intermittent acoustic signal plus the relevant LED switched ON indicates that the door is open. If a wrong push button is pressed or if there is no answer, a new call will cancel the previous one.

MOUNTING NOTES

When an expansion button module (Art. 404x) is used combined with speaker units with inbuilt camera (Art. 4384-1, Art. 4384-2, Art. 4384X-1, Art. 4384X-2) remember to set the expansion modules properly in order to avoid overwriting the addresses; indeed the inbuilt buttons addresses are already set (**Fig. 7**).

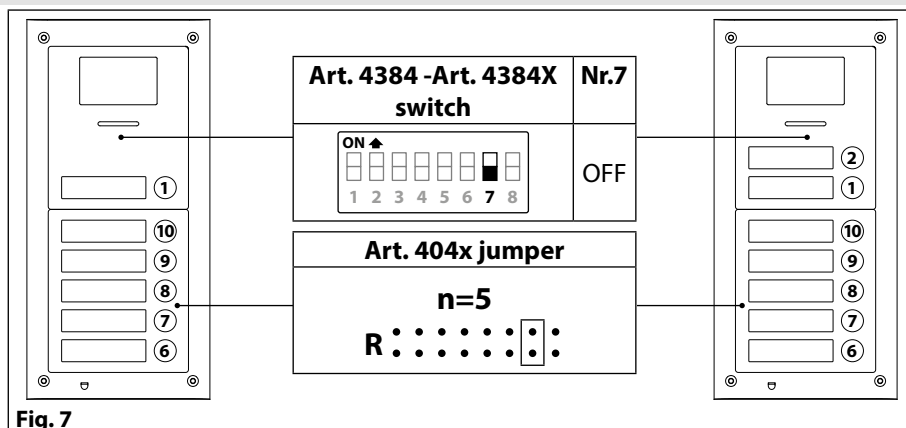


Fig. 7

Art. 4384 Speaker unit with built-in camera

Art. 4384X Speaker unit with built-in camera & proximity key reader

PROGRAMMING TAGS (ONLY ART. 4384X VERSIONS)

MASTER TAG

The external module is supplied with a master tag. The master tag is programmed in-factory, it is white to easily stand out. This tag enables user tags to be programmed or cleared.

If the master tag is lost, a new one will have to be ordered and a specific procedure performed to program it on the external module. In this instance, it will be necessary to reprogram all the user tags.

USER TAG

The user tags can be programmed on the external module using the master tag to access programming mode:

1. Place the master tag in front of the tag reader.

↳ The external module emits two high-pitched "bip".



2. Press the call button (the lower call button in the case of a 2-button external module).

↳ The external module emits a low-pitched continuous "beeping" sound.



3. Release the call button.

↳ The low-pitched "beeping" sound stops.

4. Place the user tag to be programmed in front of the tag reader.

↳ The external module emits a high-pitched "beeping" sound, the tag is programmed. If you do not remove the tag quickly, may be emitted the alert for an already programmed tag.



5. Repeat the step 4 for each tag to program.

Note: the external module emits three low-pitched "beeping" sounds if an already programmed tag is placed in front of the tag reader.



Note: the external module emits three high-pitched "beeping" sounds to indicate that its memory is full (50 tags maximum). In this instance, it is not possible to program new tags.



6. To exit programming mode:

- » place the master tag in front of the tag reader, or
- » wait 10 seconds after the most recent programming operation.

↳ The external module emits two low-pitched "beeping" sounds in order to indicate that it is in operational mode.



USING TAGS

Place a tag in front of the tag reader:

↳ If the tag is programmed, the external module emits two high-pitched "beeping" sounds and its relay is activated.



↳ If the tag is not programmed, the external module emits three low-pitched "beeping" sounds and its relay is not activated.



CLEARING USER TAGS

⚠ The following procedure will clear the programming on all user tags.

Clearing the user tag programming is carried out on the external module using the master tag to run the procedure:

1. Place the master tag in front of the tag reader.

↳ The external module emits two high-pitched "bip".



2. Press the call button (the lower call button in the case of an external 2-button module) BIP.

↳ The external module emits a low-pitched continuous "beeping" sound.



3. Release the call button.

↳ The low-pitched "beeping" sound stops.

4. Press and hold down the call button and place the master tag in front of the tag reader.

↳ The external module emits two low-pitched "beeping" sounds, all user tags have been cleared and the external module exits programming mode.



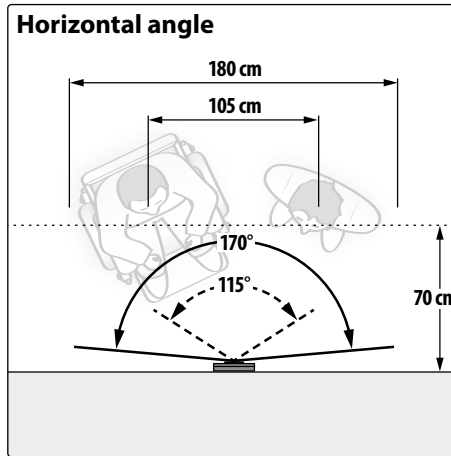
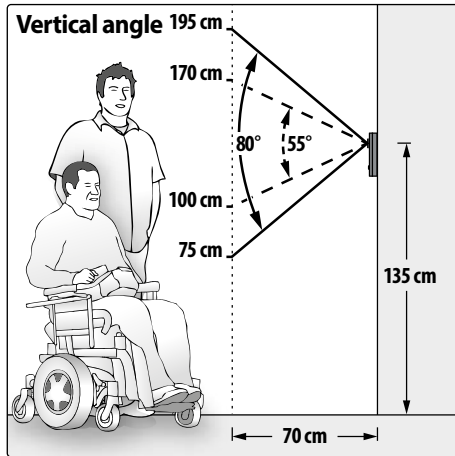
Art. 4384 Speaker unit with built-in camera

Art. 4384X Speaker unit with built-in camera & proximity key reader

CAMERA NOTES

FIELDS OF VIEW

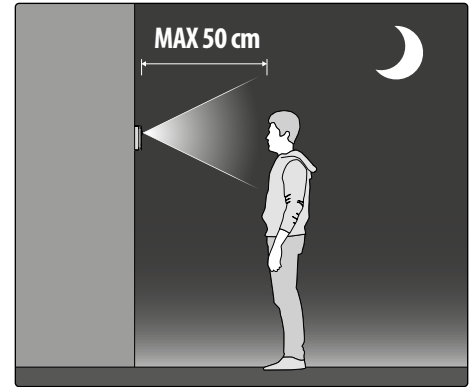
The fields of view for standard camera are 55° for vertical angle and 115° for horizontal angle while for Wide Angle camera are 80° for vertical angle and 170° for horizontal angle.



- - - - Standard camera ——— Wide Angle camera

MAXIMUM ILLUMINATION DISTANCE FROM CAMERA AT NIGHT

The illumination LED's within the camera will illuminate the visitor when they are within 50 cm of the camera.



CONNECTION TERMINALS SIGNALS

ART. 4384 VERSIONS

VID2	Video signal input (coax centre core)	
GNDV	Video signal ground (coax screen and 0V to camera)	
+V2	Output to supply the external camera if necessary	Max 12Vdc 150mA
BUS	BUS Connection terminals	
PTE	"Push to exit" active low input	
GND	Ground	
NO	Door open relay normally open contact	Max 12-24 Vac/dc 2A
C	Door open relay common contact	
+C	Electric lock capacitor discharge output	
VAUX	35Vdc power supply input/output. In case the use of Art. 2321, the module is powered locally and not from the BUS. It can be used as a source power (up to 20mA) to drive the Art. 4846 module backlight.	
NC	Door open relay normally closed contact	Max 12-24 Vac/dc 2A

ART. 4384X VERSIONS

VID2	Video signal input (coax centre core)	
GNDV	Video signal ground (coax screen and 0V to camera)	
+V2	Output to supply the external camera if necessary	Max 12Vdc 150mA
BUS	BUS Connection terminals	
PTE	"Push to exit" active low input	
GND	Ground	
NO	Door open relay normally open contact	Max 12-24 Vac/dc 2A
C	Door open relay common contact	
+C	Electric lock capacitor discharge output	
VAUX	35Vdc power supply input/output. In case the use of Art. 2321, the module is powered locally and not from the BUS. It can be used as a source power (up to 20mA) to drive the Art. 4846 module backlight.	
NC	Door open relay normally closed contact	Max 12-24 Vac/dc 2A
GND	Ground	
B	RS-485 serial interface	
A		

TECHNICAL SPECIFICATIONS

Call buttons:	Up to 94
Power consumption:	Stand-by: 60+10mA for each 404x Operating 100+10mA for each 404x Peak: 250mA
Working voltage:	Supplied by the BUS line
Working temperature:	-20 +60 °C

CLEANING OF THE PLATE

Use a clean and soft cloth. Use moderate warm water or non-aggressive cleansers.

Do not use:

- abrasive liquids;
- chlorine-based liquids;
- metal cleaning products.

Art. 4901 Digital codelock module

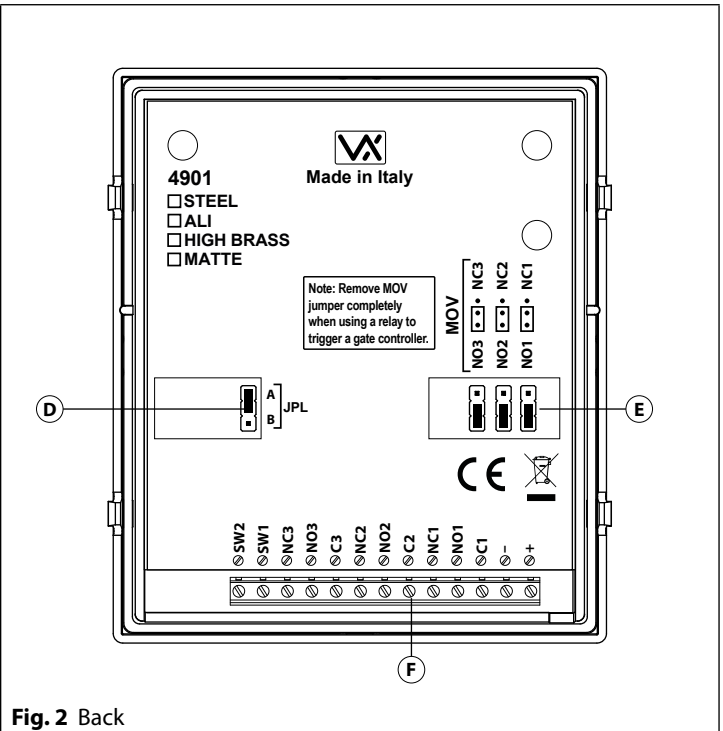
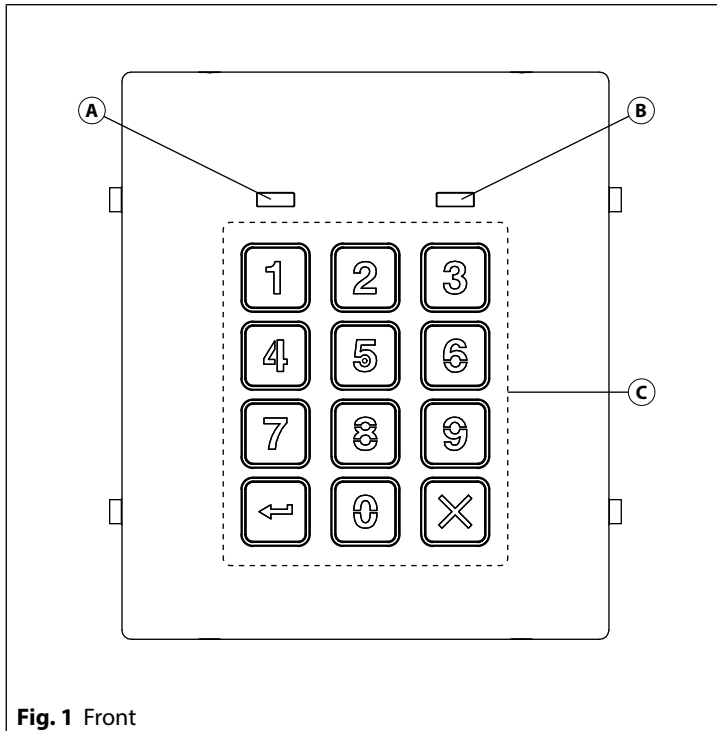


Fig. 1 Front

Fig. 2 Back

DESCRIPTION

The Art.4901 is manufactured from 316 grade brushed stainless steel and the module features 12 stainless steel buttons, backlit in blue (Keys **0 - 9**, **ENTER** and **CLEAR**) and 2 LED's for progress information during use and programming. With three integral relays each with common, normally open and normally closed connections and two inputs to enable the external triggering of relays one and two (for example, push to exit button). Key presses are signalled both acoustically and visually while each button press has a tactile feel. Entering the correct code followed by **ENTER** will activate the relevant relay. Programming is carried out through the same keypad following a simple programming menu. The module can be combined with other 4000 Series modules in an audio or video intercom system.

MAIN FEATURES

- 3 **C**, **NC**, **NO** relay outputs (24Vac/dc – 5A max);
- 3 Programmable secret codes (one for each relay);
- Each relay can be set to be activated for a specific time (01 to 99 seconds) or to work as latch;
- Two active low inputs to command directly the relay 1 and 2;
- Programming menu guarded by a 4-8 digit programmable engineer's code;
- Visual and Acoustic signal during operating and programming;
- Keypad illumination LEDs;

GENERAL DIRECTIONS FOR INSTALLATION

In order to achieve the best results from the schematics described it is necessary to install only original VIDEX equipment, strictly keeping to the items indicated on each schematic and follow these General Directions for Installation:

- The system must be installed according to national rules in force, in any case the running of cables of any intercom unit must be carried out separately from the mains;
- All multipair cables should be compliant to CW1308 specification (0.5mm twisted pair telephone cable).
- Cables for speech line and service should have a max resistance of 10 Ohm
- Lock release wires should be doubled up (Lock release wires and power supply wires should have a max resistance of 3 Ohm);
- The cable sizes above can be used for distances up to 50m. On distances above 50m the cable sizes should be increased to keep the overall resistance of the cable below the RESISTANCES indicated above;
- Double check the connections before power up;
- Power up the system then check all functions.

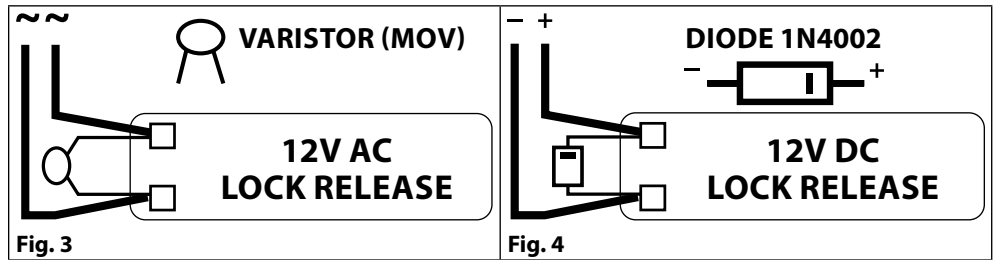
LEGEND

- | | |
|--------------------|--------------------------|
| (A) Green LED | (D) JPL jumper |
| (B) Red LED | (E) MOV jumpers |
| (C) Backlit keypad | (F) Connection terminals |

Art. 4901 Digital codelock module

LOCK RELEASE BACK EMF PROTECTION

A varistor must be fitted across the terminals on AC lock release (**Fig. 5**) and a diode must be fitted across the terminals on a DC lock release (**Fig. 4**) to suppress back EMF voltages. Connect the components to the lock releases as shown in figures.



BUZZER BACK EMF

When using intercoms with buzzer call (Art. 924/926, SMART1/2, 3101/2, 3001/2 and 3021/2) add one 0.1uF (100nF) capacitor between terminals 3 and 6 on the telephone.

BUILT-IN RELAYS – BACK EMF PROTECTION

The Art. 4901 includes selectable back EMF protection on the relays. The jumpers marked **MOV** (one jumper for each relay) are used to select the protection type. When using a fail secure lock with connections **C & NO** the jumper should be in the **NO** position. When using a fail open lock with connections **C & NC** the jumper should be in the **NC** position and when using the codelock to trigger a gate controller or another third party controller the jumper should be removed completely (this disables the protection on the relay).

BACK LIGHT ADJUSTMENT JUMPER (JPL)

The jumper JPL (**Fig. 2**, **Ⓧ**) is used to adjust the brightness and determine the operation of the backlit buttons. There are four brightness settings for the backlit buttons and two programming modes (Mode 1 and 2) for the jumper.

The two modes that can be programmed change the functionality of the jumper JPL. The table beside indicates the programming mode, the position of the jumper and the operation of the backlit buttons.

		Jumper Position		Back light Operation
Mode 1	A (default)		A	Back light on low brightness in standby. Full brightness when any buttons are pressed.
	B		B	Back light OFF in standby. Full brightness when any buttons are pressed.
Mode 2	A or B		A or B	Back light on full brightness all of the time.
JPL removed in either Mode			A or B	No back light, the back light is completely disabled.

PROGRAMMING MODE 1 (DEFAULT MODE, JPL = A)

Follow the steps below to set the codelock to Mode 1:

1. Disconnect the power from the Art. 4901 codelock;
2. Short out terminals – and **SW2**;
3. Press and hold down button 1 **1** and keep it pressed down while the power is switched back ON;
4. When power is restored to the codelock wait for the module to emit a single beep and the red status LED (**Fig. 1**, **Ⓟ**) to flash once;
5. Listen for the confirmation tone and wait for the red status LED (**Fig. 1**, **Ⓟ**) to flash once again;
6. Release button 1 **1** and remove the short between terminals – and **SW2**;
7. Set the jumper **JPL** to the desired position.

PROGRAMMING MODE 2

Follow the steps below to set the codelock to Mode 2:

1. Disconnect the power from the Art. 4901 codelock;
2. Short out terminals – and **SW2**;
3. Press and hold down button 2 **2** and keep it pressed down while the power is switched back ON;
4. When power is restored to the codelock wait for the module to emit a double beep and the red status LED (**Fig. 1**, **Ⓟ**) to flash once;
5. Listen for the confirmation tone and wait for the red status LED (**Fig. 1**, **Ⓟ**) to flash once again;
6. Release button 2 **2** and remove the short between terminals – and **SW2**;
7. Set the jumper **JPL** to the desired position.

BACK LIGHT AND BUTTON OPERATION

If the back light programming mode is set to Mode 1 (with jumper **JPL** in either the **A** or **B** position) when a button is pressed on the keypad the back light will switch to full brightness for approximately 10 seconds. After this time the back light will either switch OFF or switch back to low brightness (depending on the jumper position) unless another button has been pressed within the 10 second period in which case the back light will stay on full brightness for a further 10 seconds. The exception to this is if the back light programming mode is set to Mode 2, **i.e.** the back light will be on full brightness all of the time or if the jumper is removed the back light will be disabled.

Art. 4901 Digital codelock module

PROGRAMMING

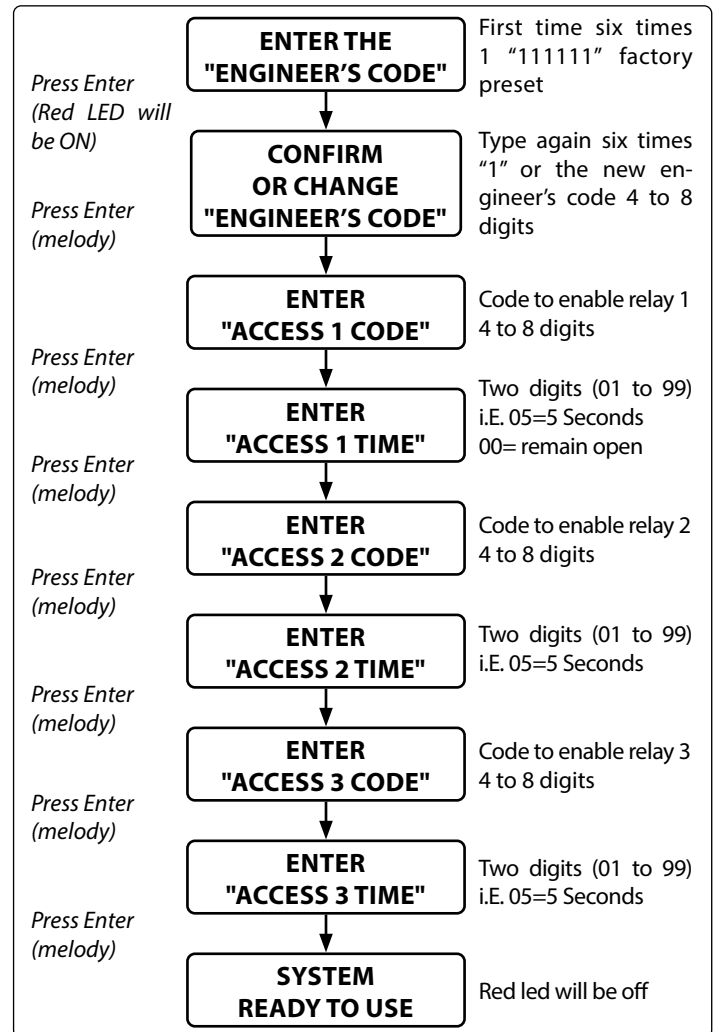
- Enter the **ENGINEER'S CODE**: first time type six times **1 (111111)** factory preset) and press **ENTER** (The red LED will illuminate);
- Confirm **ENGINEER'S CODE** (typing again the same) or type the new code (4 to 8 digits) then press **ENTER** (Melody). Pressing twice the **ENTER** button without changing the **ENGINEER'S CODE**, will exit from the programming;
- Enter the code (4 to 8 digits) to enable **RELAY 1** or re-enter the existing code then press **ENTER** (Melody);
- Enter the **RELAY 1** operation time (2 digits 01 to 99 **i.e.** 05=5 seconds, 00= remain open time) or re-enter the existing time then press **ENTER** (Melody);
- Enter the code (4 to 8 digits) to enable **RELAY 2** or re-enter the existing code then press **ENTER** (Melody);
- Enter the **RELAY 2** operation time (2 digits 01 to 99 **i.e.** 05=5 seconds, 00= remain open time) or re-enter the existing time then press **ENTER** (Melody);
- Enter the code (4 to 8 digits) to enable **RELAY 3** or re-enter the existing code then press **ENTER** (Melody);
- Enter the **RELAY 3** operation time (2 digits 01 to 99 **i.e.** 05=5 seconds, 00= remain open time) or re-enter the existing time then press **ENTER** (Melody);
- The system is ready to use (the red LED will be off).

PROGRAMMING NOTES

- After pressing enter following a command, press **ENTER** a further twice to exit the programming menu.

RETURN SYSTEM TO PRESET ENGINEER'S FACTORY CODE

- Turn off power to code lock;
- Keep **ENTER** button pressed while turning the power back on;
- Release **ENTER** button;
- The engineer's code is now set to **111111** (six times one).



OPERATION

- Type in the programmed code and press **ENTER**;
- If the code is correct, the green LED will illuminate for approx. 2 seconds and the relay relevant to the code will operate for the programmed time;
- If a wrong code is entered, a continuous melody will sound for 4 or more seconds, according to the number of mistakes;
- To switch off any relay while operating, type in the relevant code then press the **CLEAR** button;

OPERATION NOTES

- To operate relays together, set the same code for each relay;
- If a wrong code is entered, the system will lock out for 5 seconds which will increase each time a wrong code is entered. The system will operate only when the correct code is entered.

ADHESIVE GASKET PLACEMENT

Apply the (Y) seal as shown in **Fig. 5**.

ANTI-TAMPERING LOCKS FIXING

Fit the anti-tampering locks (W) as shown in **Fig. 6**.

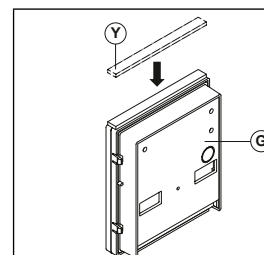


Fig. 5

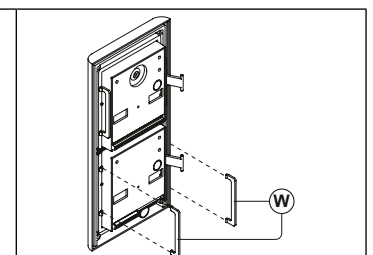


Fig. 6

CONNECTION TERMINALS SIGNALS

SW2	Relay 2 command signal (active low)	Max 24Vac/dc 3A
SW1	Relay 1 command signal (active low)	
NC3	Relay 3 normally closed contact	
NO3	Relay 3 normally open contact	
C3	Relay 3 common contact	
NC2	Relay 2 normally closed contact	
NO2	Relay 2 normally open contact	
C2	Relay 2 common contact	
NC1	Relay 1 normally closed contact	
NO1	Relay 1 normally open contact	
C1	Relay 1 common contact	
-	12/24Vac/dc power input	
+		

CLEANING OF THE PLATE

Use a clean and soft cloth. Use moderate warm water or non-aggressive cleansers.

Do not use:

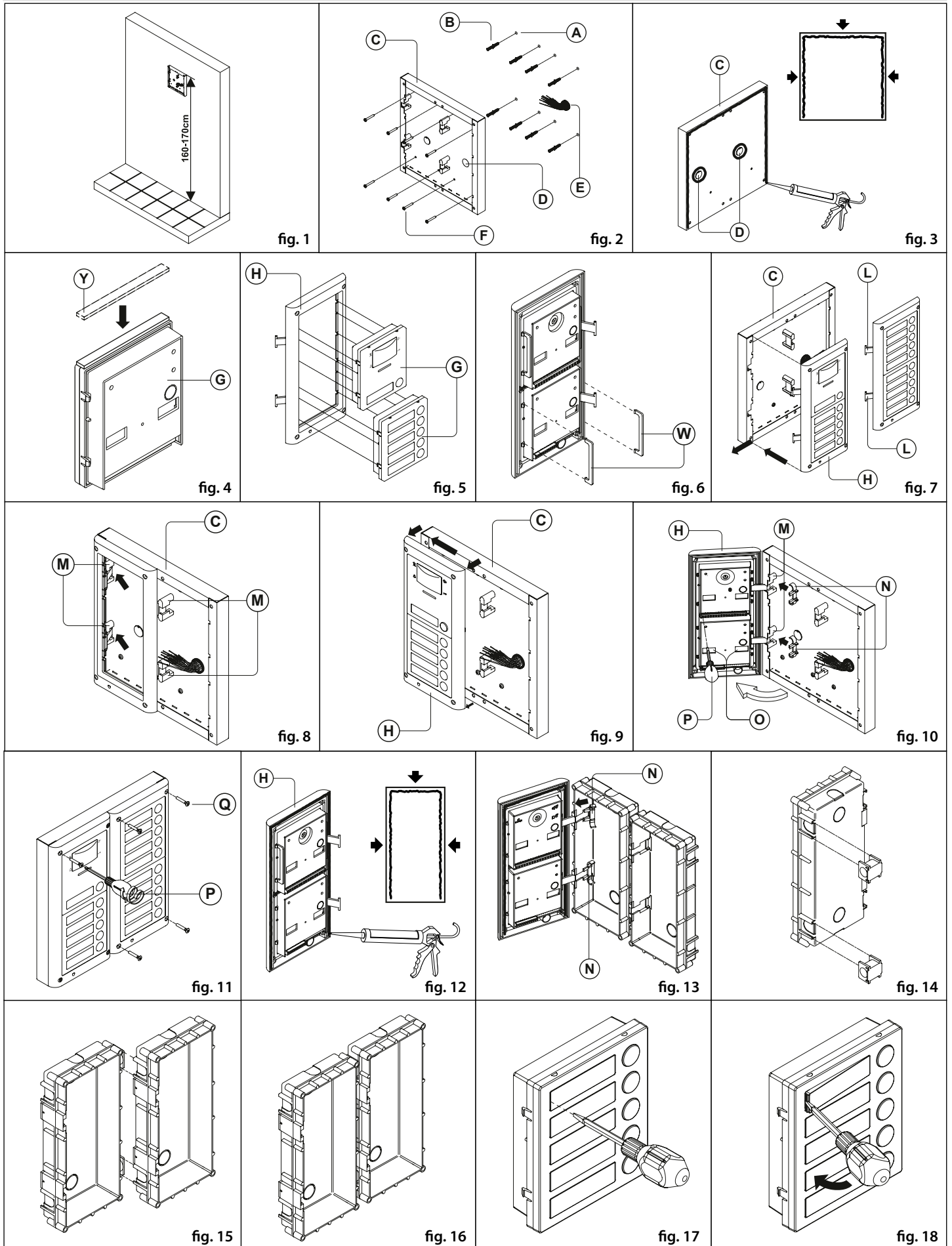
- abrasive liquids;
- chlorine-based liquids;
- metal cleaning products.

TECHNICAL SPECIFICATION

Power Supply: 12/24 Vac/dc – 2VA
Power Consumption: Stand-by: 20mA
 Operating: 70mA
Working Temperature: -20 +60° C

4000 Series Surface and flush mounting door station installation

EXAMPLE: INSTALLING A FOUR MODULE OUTDOOR STATION



4000 Series Surface and flush mounting door station installation

INSTALLING A SURFACE MOUNT DOOR STATION

- Place the surface box against the wall (165-170cm between the top of the box and the floor level as shown in **Fig. 1**) and mark the fixing holes for the wall plugs and the hole for the cables **(E)** (**fig. 2**). Observe the orientation of the box with the hinge on the left;

⚠ In order to prevent water ingress we highly recommend using a silicon sealant between the wall and the back box **(C) ON THE LEFT, TOP AND RIGHT SIDES ONLY AND AROUND ALL HOLES **(D)**. DON'T USE SILICON SEALANT ON THE BOTTOM SIDE OF THE BACK BOX (Fig.3);**

- As shown on **Fig. 2**, drill the fixing holes **(A)**, insert the wall plugs **(B)** and feed the cables **(E)** through the surface box opening **(D)**, fix surface box **(C)** to the wall using the screws **(F)**;
- Apply the **(Y)** silicon sealant on top of each module as shown in **Fig. 4**;
- Before installation of the module support frame, hook the modules **(G)** to the support frame **(H)** as shown in **Fig. 5** then, as shown in **Fig. 6**, fit the two anti-tampering locks **(W)** for each module (do the same for the second module support frame);
- When you have more than one support frame, hook the support frame to the surface box starting from the left. For convenience we will described how to attach the left frame but the same must be carried out for the right frame. As shown in **Fig. 7**, hook the module support frame **(H)** (complete with modules) to the surface box **(C)** moving the frame as suggested from pointers. Ensure that the pivots **(L)** (**Fig. 7**) go inside the relevant housing **(M)** as shown in **Fig. 8**;
- As shown on **Fig. 9**, pull back the module support frame **(H)** while moving it slightly to the left as suggested by the pointers;
- As shown in **Fig. 10**, open the module support frame **(H)** as suggested by the pointer, hook the hinge locks **(N)** to the hinges **(M)**, make the required connections using the screwdriver provided **(P)** (flat blade end) and make the required adjustment by adjusting the settings (through openings **(O)**) and adjust trimmers;
- Repeat the same operations described above for the second module support frame (or for the third if available);
- When the system has been tested and is working correctly, move back the module support frames carefully, fix them to the surface box using the screwdriver provided **(P)** (torx end) and the pin machine torx screws **(Q)** (**Fig. 11**). **Note: do not over tighten the screws more than is necessary.**

INSTALLING A FLUSH MOUNTING DOOR STATION

When flush mounting and the number of modules is greater than 3, the required back boxes need to be linked together (before embedding them in the wall) as shown on **Fig. 14, 15 and 16**:

- Arrange the back boxes and remove knockouts to allow cables to be fed from one back box to the other;
 - Hook the spacers to first back box then hook the second back box to obtain the result shown on **Fig. 16**;
- Protect the module support frame fixing holes from dust then embed the back box into the wall (165-170cm between the top of the box and the floor level as shown on the **Fig. 1**) feeding the cables **(E)** (**Fig. 2**) through a previously opened hole in the box. Observe the direction of the box ensuring the hinge is on the left and take care that the box profile is in line with the finished wall profile;

⚠ In order to prevent water ingress we highly recommend using a silicon sealant between the module support frame **(H) and the back box ON THE LEFT, TOP AND RIGHT SIDES ONLY. DON'T USE SILICON SEALANT ON THE BOTTOM SIDE OF THE MODULE SUPPORT FRAME (Fig.12);**

- Continue from step 4 of surface mounting instructions, but at step 7 hook the hinge locks **(N)** as shown on **Fig. 13**.

⚠ Note: if additional holes are made in the surface box, oxidation problems may appear unless the unprotected metal is coated with a protective paint.

NOTES

- The screwdriver's blade has two sides, one flat and one torx, to select one of them unplug the blade from the screwdriver body and plug it into the required side.
- The example shows the use of only one back box bottom hole for wires, this is done to keep file drawings clear. Naturally the installer can use the left hole or the right or both if required.

HOW TO REMOVE THE CARD NAME HOLDER

- To avoid damage to the module front plate, tape the side that will be in contact with the screwdriver blade;
- Insert the screwdriver (flat side) into the card-holder hole as shown in **Fig. 17**;
- Move the screwdriver to the left as shown in **Fig. 18** to extract the card name holder;
- Edit the card name then replace it inside the holder and refit: insert the holder inside its housing from the left or right side then push the other side until it clips into place.

Art. KRV782 7" Hands free videomonitor

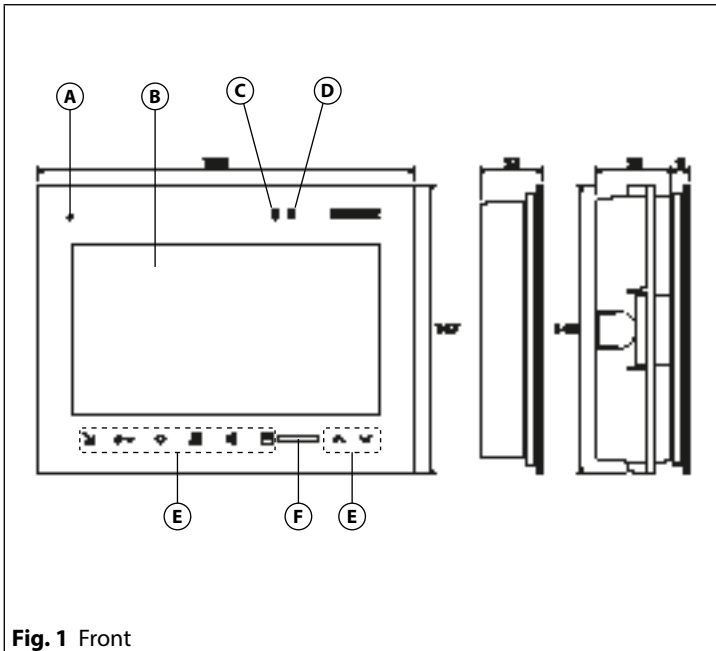


Fig. 1 Front

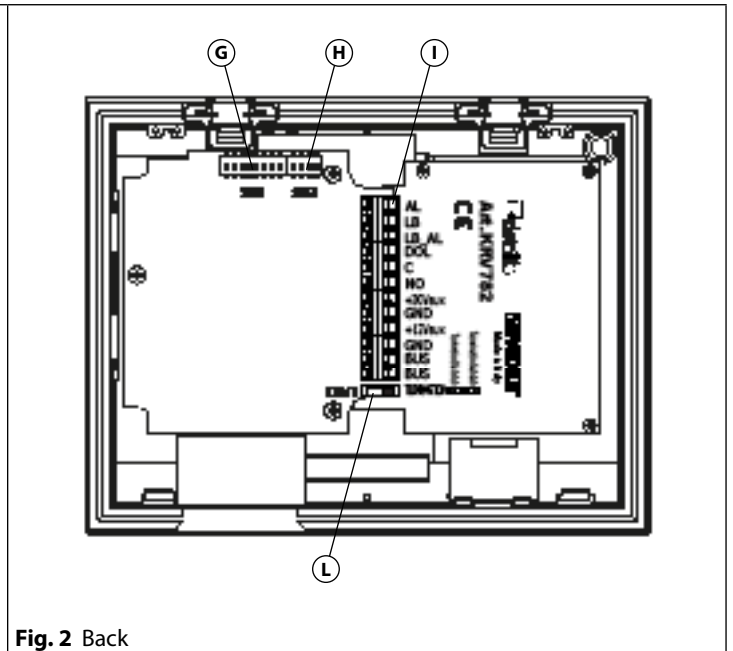


Fig. 2 Back

DESCRIPTION

Intelligent Hands free video monitor for the VX2300 digital system using a 7" 800x480 pixel resolution full colour active matrix LCD monitor with capacitive touch sensitive buttons for "door open/concierge call", "answer/camera recall", "auxiliary service", "privacy" plus 4 buttons for adjustment and programming and 2 LED's related to the videophone operation. 2 LED's indicating the door open/close status (requires an additional wire) and the activation/deactivation of the privacy are also inclusive. The videomonitor includes an intercommunication facility that enables intercommunication between devices in the same apartment (same PHONE ID but different extension address) or between devices installed in different apartments (different PHONE ID). Programming and settings are available through the touch buttons. Adjustable speech and melody volume, picture brightness and hue, programmable number of rings, privacy service duration, melody and the extension ID for intercommunication.






LEGEND


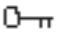











- (A) Microphone
- (B) Display
- (C) "Door Open" LED
- (D) "Privacy ON" LED
- (E) Touch buttons
- (F) Loudspeaker
- (G) 8 Way dip switch bank
- (H) 4 Way dip switch bank
- (I) Connection terminals
- (L) Bus termination switch



OPERATION

DURING STAND-BY	
	Camera recall Press a number of times equal to the ID value of the door panel to switch ON. When the connection is made, press again to end the call.
	Intercommunication call Press as many times as the extension number (intercommunication with units in the same apartment) or address value to call (intercommunication with units in a different apartment).
	Active bus relay board Art. 2305 Press this button quickly as many times as the address value of the relay (1 "beep" for each press).
	Privacy service Press to enable the privacy service. The LED turns on. The service is deactivated by pressing again the same button or when the programmed time expires.
	Melody volume Press to increase or decrease the melody volume.

Art. KRV782 Hands free videomonitor

DURING A CALL	
	Answer a call Press to answer the call and start the conversation.
	Open the door Press to activate the door open relay of the outdoor unit and end the connection. The  LED will flash then the unit returns to stand-by mode.
	Active bus relay board Art. 2305 Press this button quickly as many times as the address value of the relay (1 "beep" for each press).
	Reject the call During an incoming call, press this button to reject the call. The visitor doesn't receive any warning of the call rejected.


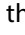
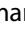

DURING A CONVERSATION		
	End conversation Press to end a call.	Activate "Push to Talk" mode Keep pressed to activate simplex "Push to Talk" mode: press and keep pressed to talk, release the button to listen.
	Open the door Press to activate the door open relay of the outdoor unit. The  LED will flash.	
	Active bus relay board Art. 2305 Press this button quickly as many times as the address value of the relay (1 "beep" for each press).	
	Camera switch button If the door station uses the Art. 4303N plus the Art. 4330N or the Art. 4302N/NR, pressing this button during a conversation switches the video signal coming from the camera module to the video signal coming from the camera module input for external camera. During the conversation, press the button and the camera switches (If no camera is connected you will see a black screen). Repeat the operation to switch back to main camera.	
	Speech volume adjustment Press then use  or  buttons to increase or decrease the speech volume (1 "beep" for each press).	
	Picture brightness and hue adjustments <ul style="list-style-type: none"> • Press one time then use  or  buttons to increase or decrease the picture brightness (double "beep" for each press). • Press two times then use  or  buttons to increase or decrease the picture hue (double long "beep" for each press). 	

LED'S	
	Door open LED Indicates if the door is open (requires an additional wire).
	Privacy service LED Indicates if privacy service is enabled or disabled.


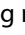


PROGRAMMING

All programming options are available only when the system is in stand-by.

NUMBERS OF RINGS

1. Press and keep pressed  button for 5 seconds to enter number of rings programming mode: the  LED turns on and the unit emits a "beep";
2. Press  button as many rings as required: the unit emits a "beep" every time the button is pressed. **I.E.:** press 3 times for 3 rings.
Default value: 3 rings. Max value: 9 rings;
3. Wait for some seconds: the  LED turns off and confirms the new setting is properly stored;
4. The unit returns to stand-by mode.

PRIVACY SERVICE DURATION

1. Press and keep pressed  button for 5 seconds to enter privacy service duration programming mode: the  LED turns on and the unit emits a "beep";
2. Press  button as many times as required. Each press is equal to 15 minutes: the unit emits a "beep" every time the button is pressed. **I.E.:** press 4 times for 1 hour, 12 for 3 hours. Default: infinite. Max value: 20 hours. To program infinite privacy time don't press any button until the unit emits a "beep" to confirm the setting;
3. Wait for some seconds: the  LED turns off and confirms the new setting is properly stored;
4. The unit returns to stand-by mode.

Art. KRV782 Hands free videomonitor

MELODY TYPE

1. Press and keep pressed button for 5 seconds to enter melody type programming mode: the LED turns on and the unit emits a "beep";
2. Press and keep pressed button to play the current melody. Release button then press and keep it pressed again to play the next melody. Proceed in the same manner to select the melody;
3. When desired melody is selected, wait for some seconds and the LED will turn off;
4. The unit returns to stand-by mode.

VIDEOPHONE ADDRESS – SW1.1..7

The table below shows how to set the address of the videophone. Considering that ON = 1 and OFF = 0, multiply each digit for the relevant decimal weight then sum values obtained to get the address: **E.g.** as highlighted in the table OFF, ON, OFF, OFF, ON, OFF, ON in binary is equal to 0100101 then multiplying each digit for the relevant decimal weight you obtain the address that is 37.



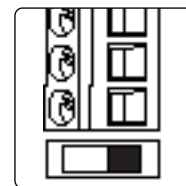
SW1.1..7

SWITCHES STATUS							BINARY CODE - DECIMAL WEIGHT							ADDRESS
7	6	5	4	3	2	1	64	32	16	8	4	2	1	
OFF	OFF	OFF	OFF	OFF	OFF	ON	0	0	0	0	0	0	1	1
OFF	OFF	OFF	OFF	OFF	ON	OFF	0	0	0	0	0	1	0	2
OFF	OFF	OFF	OFF	OFF	ON	ON	0	0	0	0	0	1	1	3
OFF	OFF	OFF	OFF	ON	OFF	OFF	0	0	0	0	1	0	0	4
OFF	ON	OFF	OFF	ON	OFF	ON	0	1	0	0	1	0	1	37
ON	ON	ON	ON	ON	ON	ON	1	1	1	1	1	1	1	127

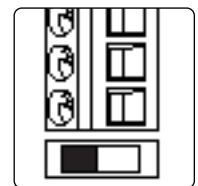
Note: The maximum number of units allowed is 100 but the address of each unit can be a value between 1 and 127.

BUS LINE TERMINATION - DEV1

The factory pre-set is termination enabled. In case of more units (intercoms, videophones or video monitors) in a parallel connection (bus wires are connected to the terminals of the first unit then from this to the second and so on up to 4 units max) Termination must be enabled only for the last unit in the chain while on all other units must be disabled. This rule applies even if the devices in the apartment are of a different type (Telephone videophone video monitor etc).



Termination enabled (factory pre-set).



Termination disabled.

INTERCOMMUNICATION MODE – SW3.1

This switch establishes the intercommunication mode: in OFF position (default) intercommunication is between units in the same apartment (same addresses but different extension); in ON position the intercommunication is between units in different apartments (different addresses).

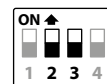


SW3.1

On installations where there are more than one intercom/videophone in the same apartment and intercommunication between different apartments is required, only one intercom/videophone may be set with this function (SW3.1=ON, SW3.2=OFF, SW3.3=OFF). The other intercom/videophones in the apartment must be set for local intercommunication with extension addresses "2-4" (slaves). From the intercom/videophone set for intercommunication with other apartments it will not be possible to intercommunicate within the apartment but slave extensions 2-4 will be able to intercommunicate with each other within the apartment.

EXTENSION NO – SW3.2..3

If the intercommunication between apartments is enabled (switch 1 of SW3 = ON) leave these two switches in default position (both to OFF). Otherwise, if the intercommunication is between the same apartment (switch 1 of SW3 = OFF), set the extension addresses starting from 1. During the external call, all video monitors in the same flat will ring but the video will be shown only from the videophone with extension address 1.



SW3.2..3

2	3	EXTENSION NO.
OFF	OFF	1 (default, master)
ON	OFF	2 (slave)
OFF	ON	3 (slave)
ON	ON	4 (slave)

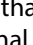
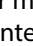
SLAVE MODE - SW3.4

This set up concerns the answering mode of the video monitor when there is more than one unit (max 4) in the same apartment. OFF (default) = during a call, only the video monitor with extension 1 (master) will show the video. ON = the video monitor will be switched on independently of the extension address: in this case the video monitor must be supplied locally using a power supply Art. 2321 with connections **BUS+** to terminal **+VAUX** and **BUS-** to terminal **GND** on the connection terminals (the local power supply is required for each black & white slave videophone or starting from the third slave videophone when they are all colour videophones).



SW3.4

This switch should also be set to ON on the master videophone when this mode is used.

CONNECTION TERMINAL SIGNALS	
AL	Alarm input (not implemented yet)
LB	Local bell input (active low)
LB_AL	Ground output for use in combination with AL & LB active low inputs
DOL	Auxiliary LED power supply input (+12Vdc – normally used as "DOOR OPEN" LED)
C	Dry contacts relay common contact (during a conversation, keep pressed the  button for more than 3 seconds to enable the internal link between terminals C and NO – the link remains until the button is released).
NO	Dry contacts relay normally open contact (during a conversation, keep pressed the  button for more than 3 seconds to enable the internal link between terminals C and NO – the link remains until the button is released).
+30Vaux	Auxiliary 30Vdc power supply input (to be used when the switch 4 of SW3 is set to ON when more videophones have the same address and must be switched ON at the same time).
GND	30Vdc power supply ground
+12Vaux	Auxiliary 12Vdc power supply input for memory board version (not implemented yet)
GND	12Vdc power supply ground
BUS	Bus input terminal
BUS	Bus input terminal

Max
50Vdc @
100mA

TECHNICAL SPECIFICATION

Housing/Mounting: Kristallo Series 7" videophones - flush or surface mountig

Push buttons: Yes, 8

Programming: Yes, carried out by the dip-switches located on the rear of the videophone Loudspeaker and call tone volume, brightness

Controls:

Power Supply: Supplied by the BUS line


Power consumption: Stand-by: 3.3mA Max

Operating: 250mA Max

Working temperature: -10°C +50°C

RESTORING FACTORY PRESET

To restore factory preset, proceed as follows:

- Cut off power supply;
- Make a short between **LB** and **GND** terminals;
- Restore power supply and wait until LED  blinks twice before removing the short.

The unit parameters are restored to factory preset.

MEMORY BOARD

This device is also available in the version with memory board (Art. KRV782/VM).

If you have that version, please refer to the "**Kristallo Series 7" Memory Board**" user manual (in English and Italian) for installation and use.

The manual is available for download: click/tap or scan the QR code.



Kristallo Series 7" videomonitor wall mounting instructions

SURFACE MOUNTING

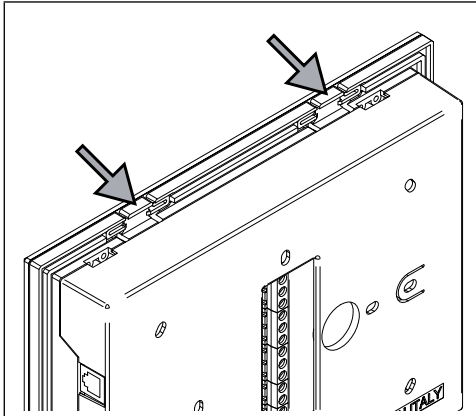


Fig. 1

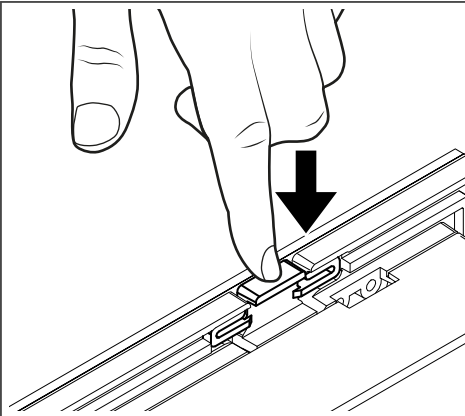


Fig. 2

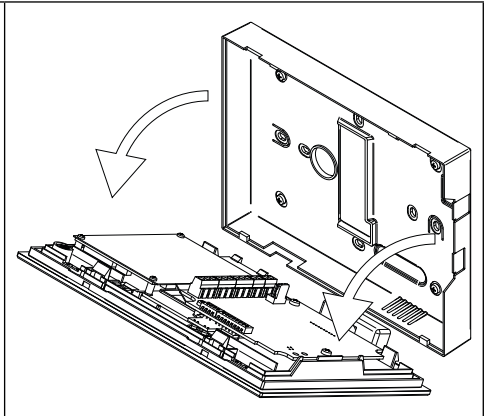


Fig. 3

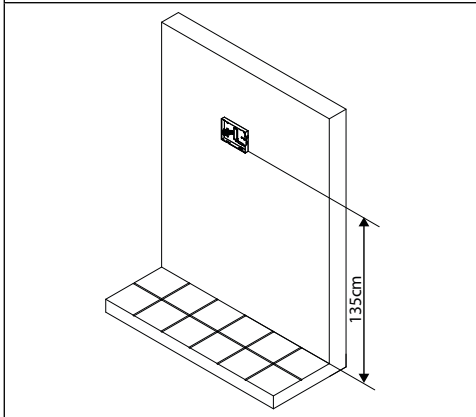


Fig. 4

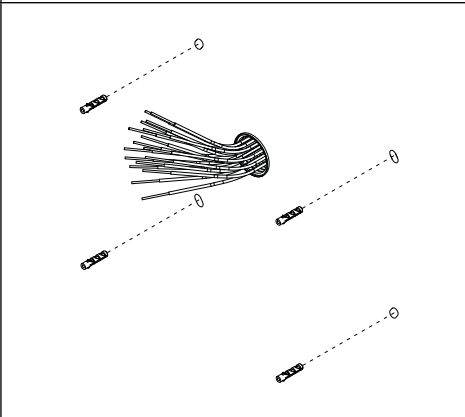


Fig. 5

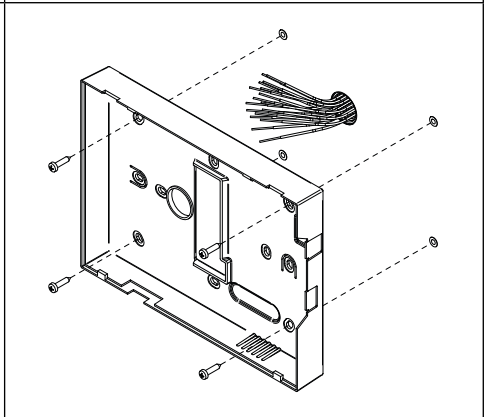


Fig. 6

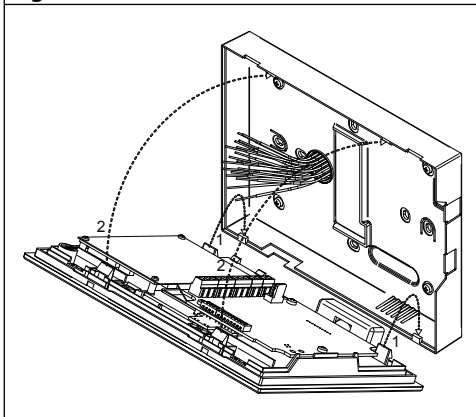


Fig. 7

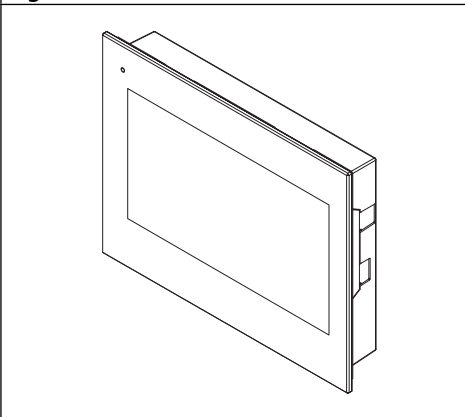


Fig. 8

1. To install the videophone, it is necessary to remove the back cover. Apply pressure to the two clips indicated by the grey arrows (Fig. 1) using fingers (Fig. 2) while lightly pulling the upper part in the direction of the white arrows (Fig. 3).

N.B. Repeat the same operation with both clips.

1. Protect the holes to fix the videophone to the flush mounting box then embed the flush mounting box in line with the wall **in a horizontal position** at 135cm height from the floor as shown in Fig. 4;
2. As shown in Fig. 5 and Fig. 6, fix the back cover of the videophone to the flush mounting box keeping the same orientation shown in the figure and taking care to feed the connection cables through the specific circular opening;
3. Connect the wires using a flat screw driver then setup the dip-switches as per provided connection diagram or instruction sheet and fix the front part of the videophone to the back cover as shown in Fig. 7: hook first the bottom side then rotate the front part and hook the upper side;

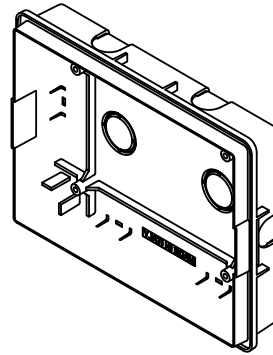
⚠ In order to avoid malfunctions, please do not over tighten the screws.

4. The video intercom is installed (Fig. 8), power up the system and check that it works correctly.

Kristallo Series 7" videomonitor wall mounting instructions

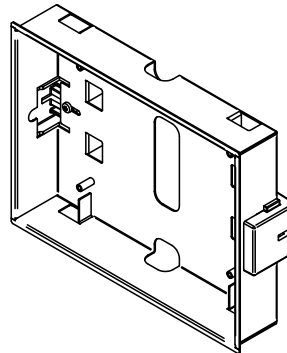
WALL FLUSH MOUNTING

For wall flush mounting it is necessary to purchase the wall flush mounting kit **Art. KRV7981** and follow the attached instructions. The kit is sold separately.



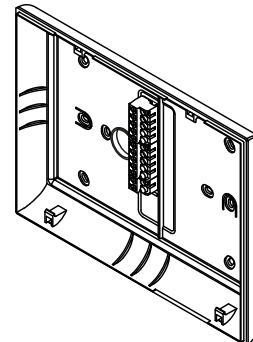
DRY LINE WALL FLUSH MOUNTING

For dry line wall flush mounting it is necessary to purchase the dry line wall flush mounting kit **Art. KRV7983** and follow the attached instructions. The kit is sold separately.



SURFACE MOUNTING WITH SPECIFIC KIT

For surface mounting it is necessary to purchase the surface mounting kit **Art. KRV7985** and follow the attached instructions. The kit is sold separately and is available in white (**Art. KRV7985/W**) or black (**Art. KRV7985/B**) finishes.



Click/tap or scan the QR code to download the corresponding manual

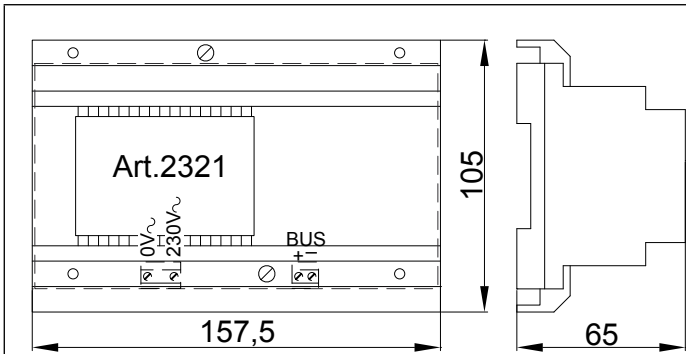


Fig. 1

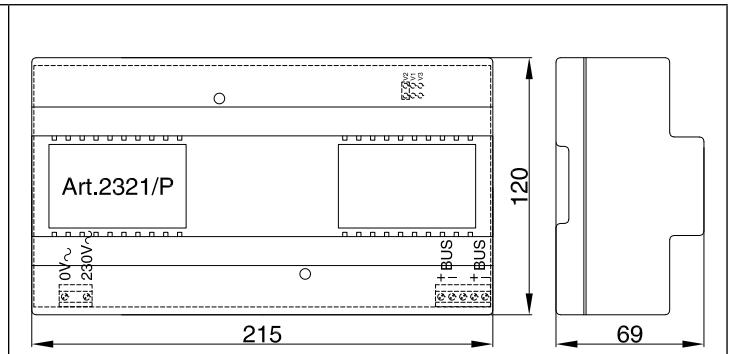


Fig. 2

DESCRIPTION

These two power supplies are specifically designed for VX2300 digital system.

The Art. 2321 can be used for systems with 1 entrance up to 20 users. Art. 2321/P is for systems with more than 1 entrance and up to 40 users. For more than 40 users it is necessary to add a Art. 2321/P to the BUS.

CONNECTION TERMINALS AND JUMPERS

0	Mains input
~230V	
BUS +	BUS terminals
BUS -	
BUS +	BUS terminals (only Art. 2321/P)
BUS -	
V1	Jumper to adjust the output voltage (only Art. 2321/P).
V2	V1=Low, V2=Medium, V3=Maximum. Set to maximum (V3) when the unit is used together with Art. 2301N, otherwise leave in a low or medium position.
V3	

CONNECTION TO MAINS



WARNING!

The system must be installed only by a qualified electrician and in accordance with national rules in force and installation diagrams (if provided).

In particular we recommend that:

The system is connected to the mains through an all-pole circuit breaker which has a contact separation of at least 3mm in each pole and shall connect all poles simultaneously; The all-pole circuit breaker shall be placed for ease of access and the switch shall remain readily operable.

Only for indoor use in dry places. Do not exceed the maximum power load indicated.

MOUNTING INSTRUCTIONS

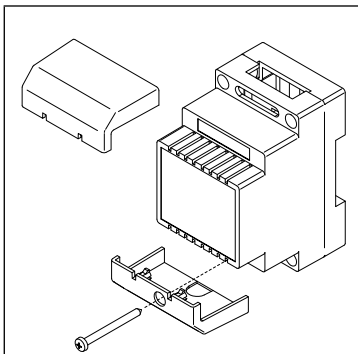


Fig. 3

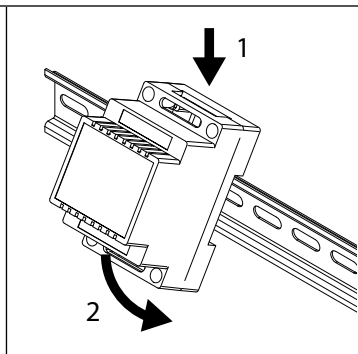


Fig. 4

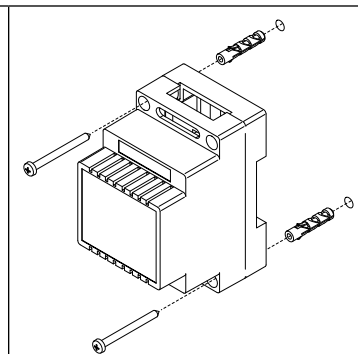


Fig. 5

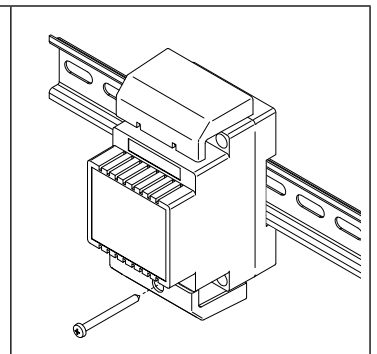


Fig. 6

1. Remove the terminal side covers by unscrewing the retaining screws (Fig. 3);
2. Fix the power supply to a DIN rail (Fig. 4) or directly to the wall using two expansion type screws (Fig. 5);
3. Isolate the mains using the circuit breaker mentioned above then make the connections as shown on the installation diagrams (if provided);
4. Check all connections and secure the wires into the terminals;
5. When all connections are made replace and fix the terminal covers with the relevant screws (Fig. 6);
6. Restore the mains.

SPECIFICATION

Housing/Mounting: 9 Module A Type DIN box (Art. 2321) – 12 Module A Type DIN box (Art. 2321/P) / DIN Bar or directly to the wall
Controls: Voltage amplification (3 levels)
Power Supply: 230 Vac
Working Temperature: -20 +60°C

ART. 2321 - ELECTRICAL DATA

Mains voltage: 230 Vac ~ 50/60 Hz
Output voltage: 32 Vdc 0.8 A
Internal fuse: -

ART. 2321/P - ELECTRICAL DATA

Mains voltage: 230 Vac ~ 50/60 Hz
Output voltage: 35 Vdc 1.5 A
Internal fuse: T 350 mA L 250

Art. 2322 Power supply converter from BUS line to 12 Vdc

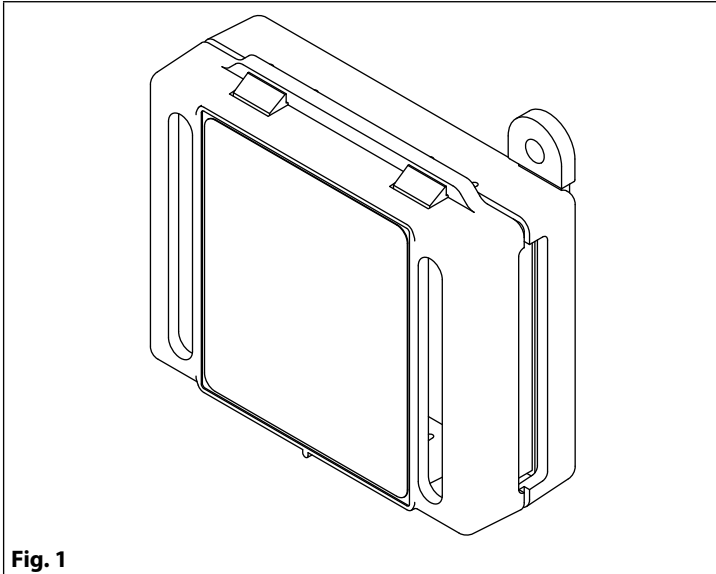


Fig. 1

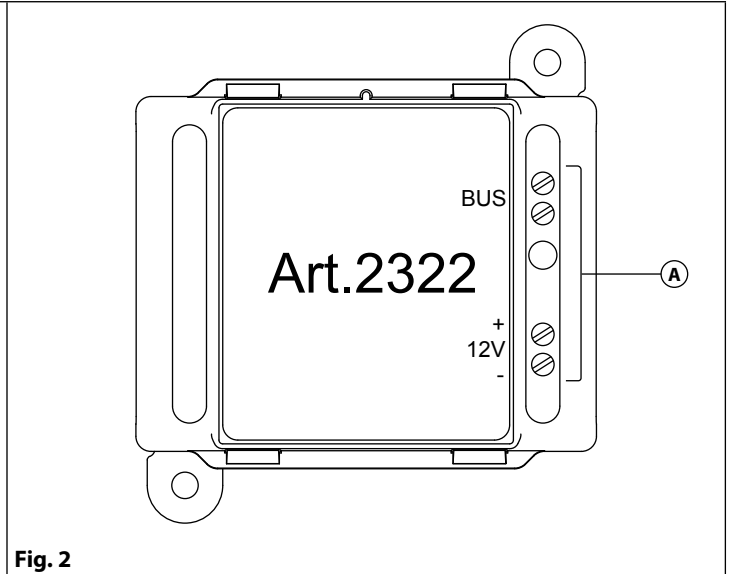


Fig. 2

DESCRIPTION

When this unit is connected to the BUS line it generates a +12Vdc – 100mA power source. This unit can be used to supply peripherals such as the Art. 4901 or Art. 4902 without the need for an additional power supply.

Please note: The peripherals must not require more than 100mA.

LEGEND

Ⓐ Connection terminals

CONNECTION TERMINALS

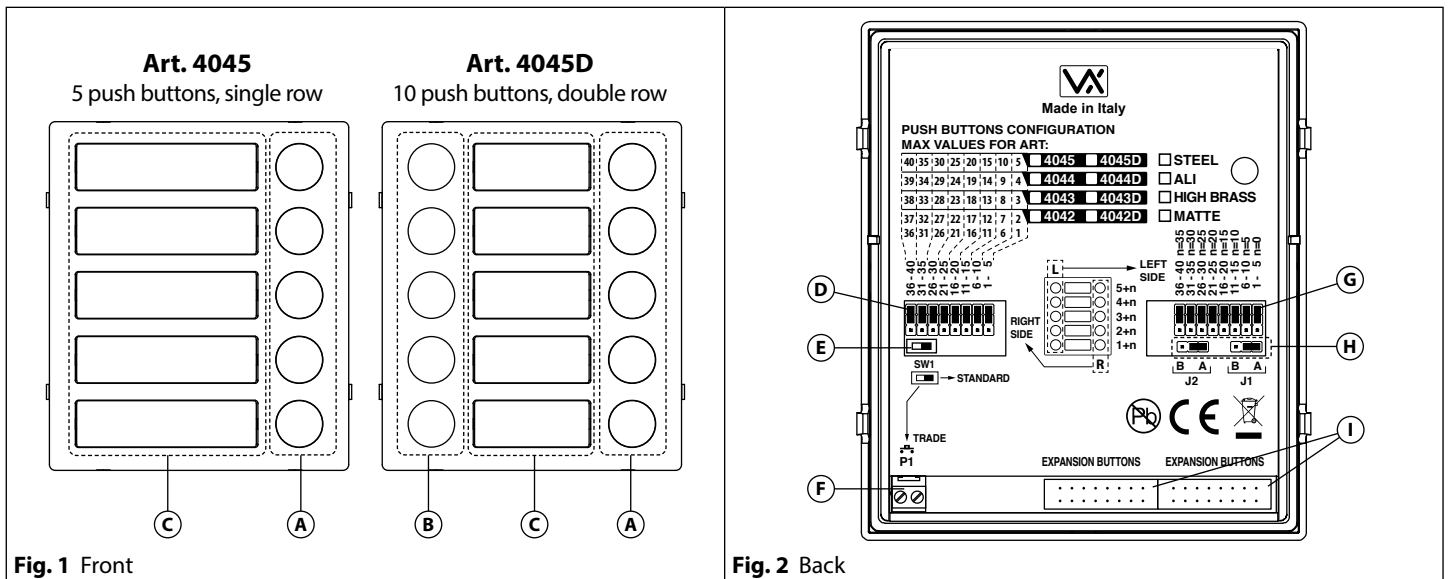
BUS	BUS line inputs
BUS	
12V+	12Vdc – 100mA output
12V- (0V)	

TECHNICAL SPECIFICATION

Housing: Plastic box 50x60x20mm
Mounting: Direct wall
Power supply: Supplied by the BUS line
Working temperature: -20° +60° C

Art. 4042 .. 4045 Single row button expansion modules

Art. 4042D .. 4045D Double row button expansion modules



DESCRIPTION

Push button modules allow the expansion of the number of call buttons. Available in versions single row with 2, 3, 4 or 5 call push buttons and in double row with 4, 6, 8 or 10 call push buttons. Specific for use in combination with VIDEX IP camera units Art. 4533, VX2200 camera units Art. 4284 and VX2300 camera units Art. 4384.

LEGEND

- (A) Right side push button
- (B) Left side push button (only for double row versions)
- (C) Name plate holders
- (D) Right side push button configuration jumpers
- (E) SW1 switch
- (F) Trade button connection
- (G) Left side push button configuration jumpers
- (H) J2 and J1 jumpers to configure illumination LEDs
- (I) IDC male connectors

AVAILABLE VERSIONS

Single row				Double row			
Art. 4042 2 call button	Art. 4043 3 call button	Art. 4044 4 call button	Art. 4045 5 call button	Art. 4042D 4 call button	Art. 4043D 6 call button	Art. 4044D 8 call button	Art. 4045D 10 call button

PUSH BUTTON CONFIGURATION

The button addressing depends on the jumper position. The table below shows the numbers assigned to the buttons according to the jumper position.

Single row				Double row			

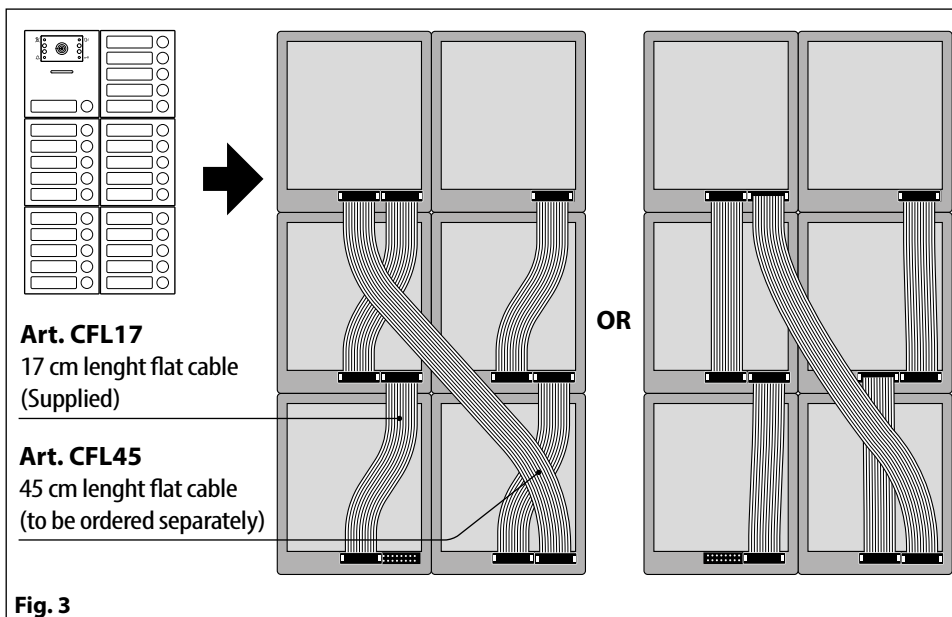
Note: when you use a double row module, take care to place jumpers in different position so to have different addresses for left side and right side button.

Art. 4042 .. 4045 Single row button expansion modules

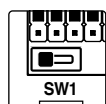
Art. 4042D .. 4045D Double row button expansion modules

POWER SUPPLY

To give power supply to the module connect one of the inbuilt IDC male connector ① to the IDC male connector of the camera unit module through the flat cable provided. A further buttons expansion module can be connected to the free IDC male connector of the previous expansion module (**Fig. 3**).

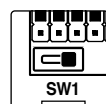


SW1 SETTINGS



Left position = TRADE

Trade button connection related to push button no.1 (only if **SW1** is swithed on Trade side).



Right position = STANDARD

Standard matrix call buttons (default).

J2 AND J1 BACKLIT LEDS SETTINGS

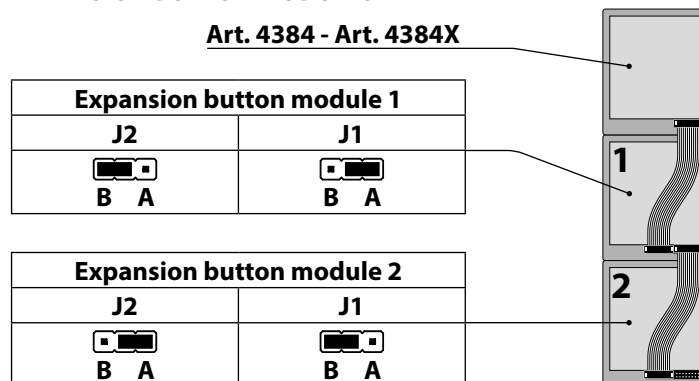
USING WITH ART. 4284, ART. 4284X OR ART. 4533 (DEFAULT SETTING)

J2	J1

USING WITH ART. 4384 OR ART. 4384X AND ONE SINGLE EXPANSION BUTTON MODULE

J2	J1

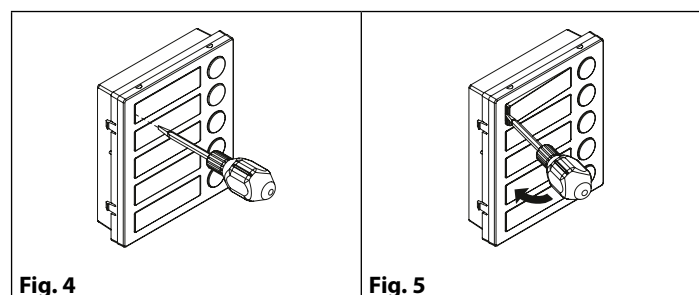
USING WITH ART. 4384 OR ART. 4384X AND A COUPLE EXPANSION BUTTON MODULES



NOTE: to connect more than 2 expansion button modules, please refer also to the installation diagrams.

HOW TO REMOVE/INSERT THE CARD NAME HOLDER

- To avoid damage to the module front plate, mask the side that will be in contact with the screwdriver blade;
- Insert the screwdriver (flat side) into the card-holder hole as shown in **Fig. 4**;
- Move the screwdriver to the left as shown in **Fig. 5** to extract the card name holder;
- Edit the card name then replace it inside the holder and refit: insert the holder inside its housing from the left or right side then push the other side until it clips into place.



Art. 4042 .. 4045 Single row button expansion modules

Art. 4042D .. 4045D Double row button expansion modules

ADHESIVE GASKET PLACEMENT

Apply the (Y) seal as shown in **Fig. 6**.

ANTI-TAMPERING LOCKS FIXING

Fit the anti-tampering locks (W) as shown in **Fig. 7**.

TECHNICAL SPECIFICATIONS

Power Supply: 12Vdc supplied by the flat
Power Consumption: 40 mA max
Working Temperature: -20 +60 °C

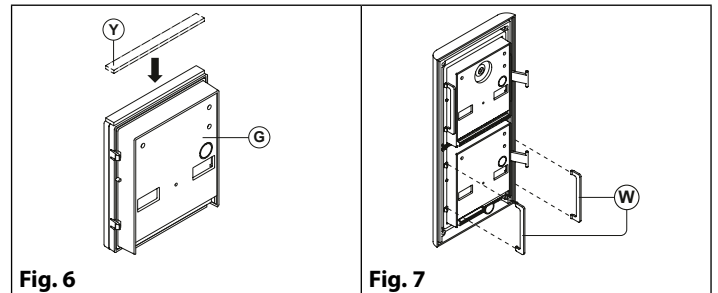


Fig. 6

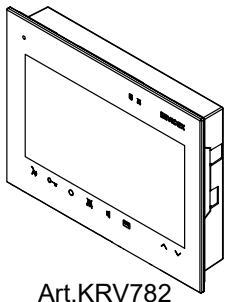
Fig. 7

CLEANING OF THE PLATE

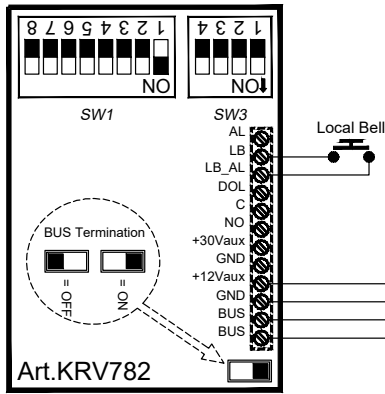
Use a clean and soft cloth. Use moderate warm water or non-aggressive cleansers.

Do not use:

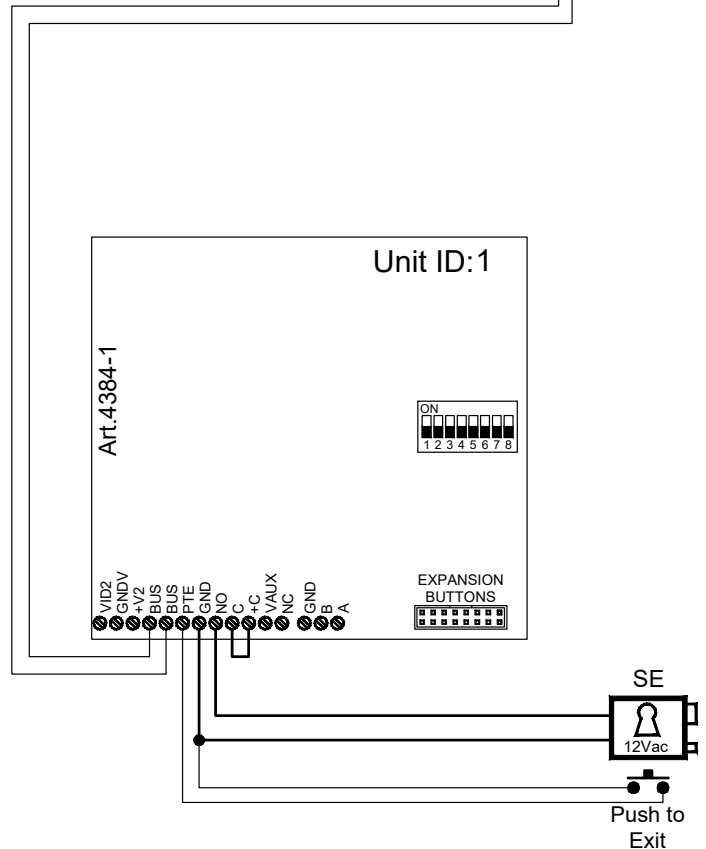
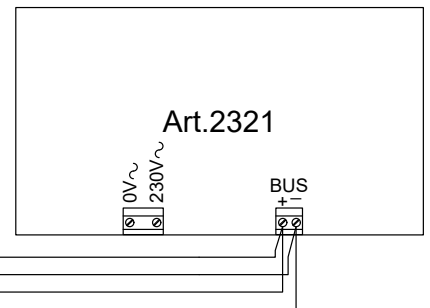
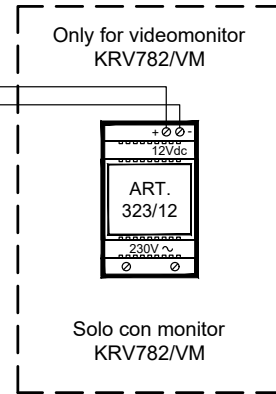
- abrasive liquids;
- chlorine-based liquids;
- metal cleaning products.



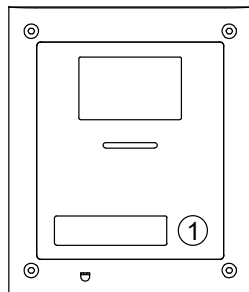
Art.KRV782



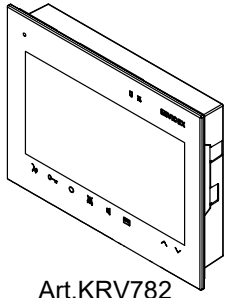
Art.KRV782
Extension N. 1
Address: 1



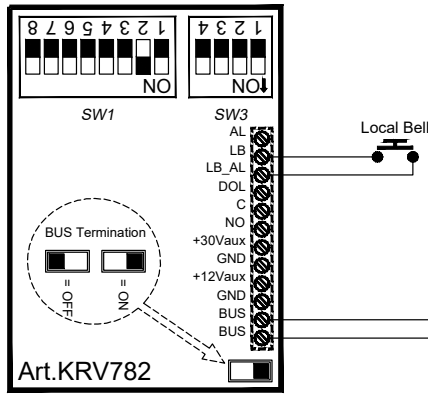
!
After each change on the programming of the door station, videophone or any other device connected to the system it is necessary to restart the system (power off then power on).
Dopo ogni cambiamento nella programmazione del posto esterno, del videocitofono o del relè, è necessario togliere l'alimentazione al sistema e ripristinarla affinché le variazioni vengano recepite dai rispettivi dispositivi.
Après chaque modification de la programmation du poste de rue, du vidéophone ou de tout autre appareil connecté au système, il est nécessaire de redémarrer le système (mise hors tension puis sous tension).



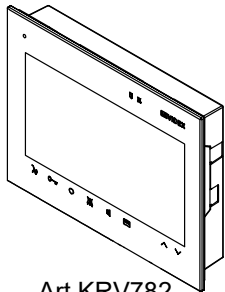
Titolo: ESVK-1/KRV782, ESVK-1S/KRV782 One Way Videokit		Data creazione: 15/06/2020	Foglio 1 / 1
Titolo: ESVK-1/KRV782, ESVK-1S/KRV782 Videokit Monofamiliare		Data modifica: 27/10/2020	
Videx Electronics S.p.A. Via del Lavoro 1, 63046 Monte Giberto (FM) Phone: +39 0734 631669 - Fax: +39 0734 631669 www.videx.it - info@videx.it	Notes:	Autore: Marco Rongoni	
	Note:	Cod. File: 4384-kr7-001.dwg	



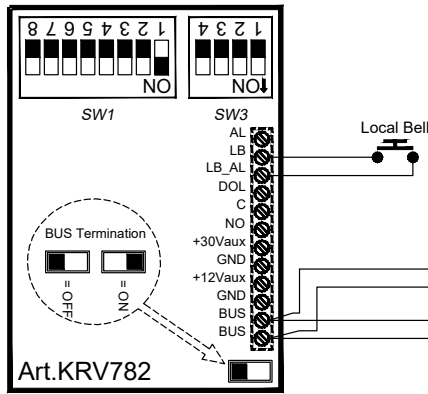
Art.KRV782



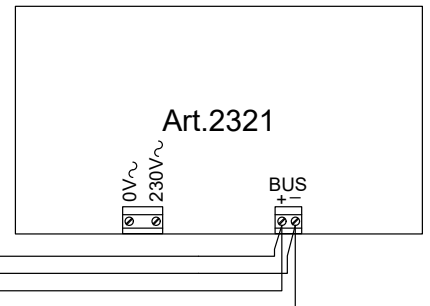
Extension N. 1
Address: 2



Art.KRV782



Extension N. 1
Address: 1



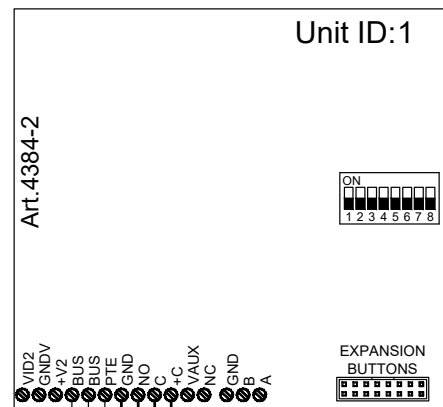
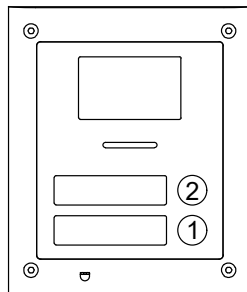
Art.2321



After each change on the programming of the door station, videophone or any other device connected to the system it is necessary to restart the system (power off then power on).

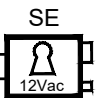
Dopo ogni cambiamento nella programmazione del posto esterno, del videocitofono o del relè, è necessario togliere l'alimentazione al sistema e ripristinarla affinché le variazioni vengano recepite dai rispettivi dispositivi.

Après chaque modification de la programmation du poste de rue, du vidéophone ou de tout autre appareil connecté au système, il est nécessaire de redémarrer le système (mise hors tension puis sous tension).




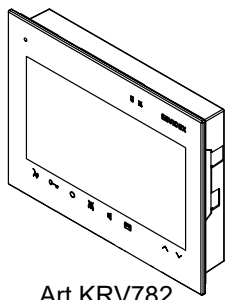
Unit ID:1

Art.4384-2

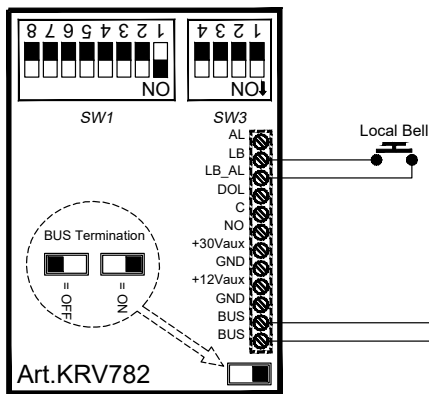


SE
12Vac
Push to
Exit

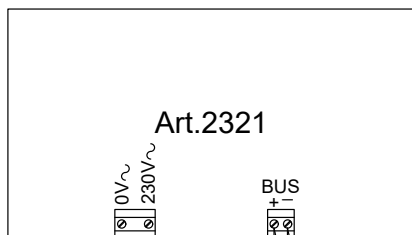
Titolo: ESVK-1/KRV782, ESVK-1S/KRV782 Two Way Videokit		Data creazione: 15/06/2020	Foglio 1 / 1
Titolo: ESVK-1/KRV782, ESVK-1S/KRV782 Videokit Bifamiliare		Data modifica: 27/10/2020	
 Videx Electronics S.p.A. Via del Lavoro 1, 63046 Monte Giberto (FM) Phone: +39 0734 631669 - Fax: +39 0734 631669 www.videx.it - info@videx.it	Notes:	Autore: Marco Rongoni	
	Notes:	Cod. File: 4384-kr7-002.dwg	



Art.KRV782



Extension N. 1
Address: 1



Art.2321



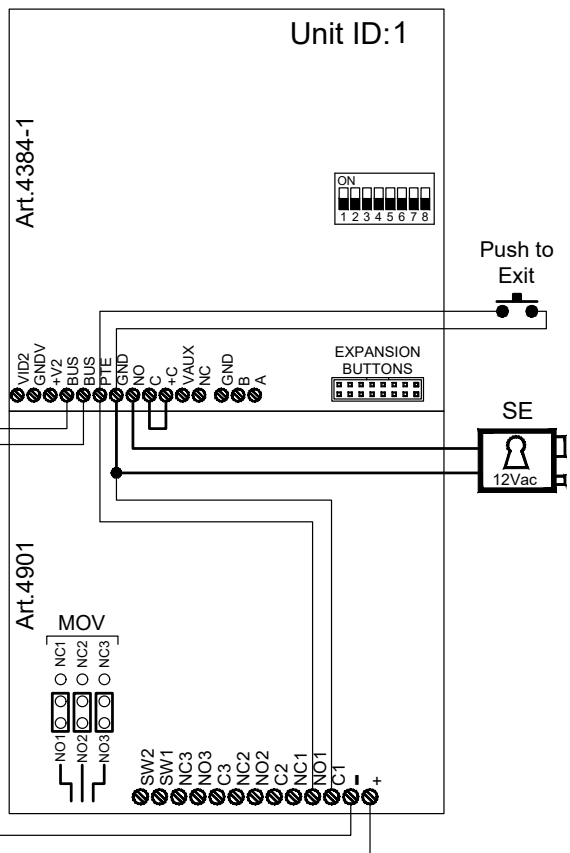
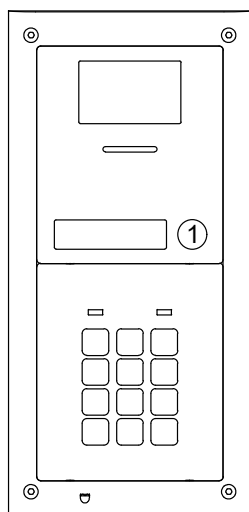
Art.2322



After each change on the programming of the door station, videophone or any other device connected to the system it is necessary to restart the system (power off then power on).

Dopo ogni cambiamento nella programmazione del posto esterno, del videocitofono o del relè, è necessario togliere l'alimentazione al sistema e ripristinarla affinché le variazioni vengano recepite dai rispettivi dispositivi.

Après chaque modification de la programmation du poste de rue, du vidéophone ou de tout autre appareil connecté au système, il est nécessaire de redémarrer le système (mise hors tension puis sous tension).



Titolo: ESKVC-1/KRV782, ESKVC-1S/KRV782 One Way Videokit

Titolo: ESKVC-1/KRV782, ESKVC-1S/KRV782 Videokit Monofamiliare

Videx Electronics S.p.A.
Via del Lavoro 1, 63046 Monte Giberto (FM)
Phone: +39 0734 631669 - Fax: +39 0734 631669
www.videx.it - info@videx.it

Notes:

Note:

Data creazione: 15/06/2020

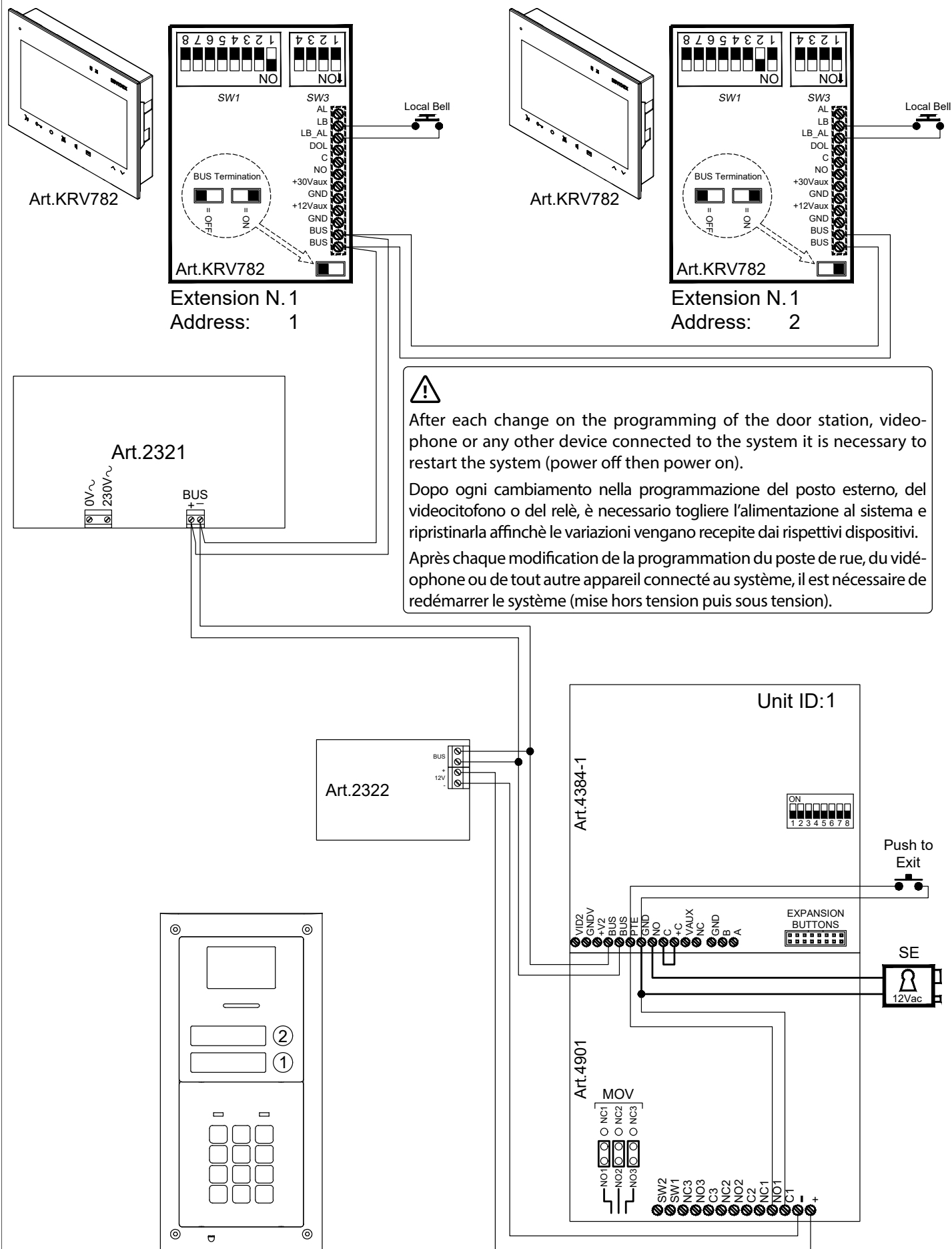
Data modifica: 27/10/2020

Autore: Marco Rongoni

Cod. File: 4384-kr7-003.dwg

Foglio

1 / 1



After each change on the programming of the door station, video-phone or any other device connected to the system it is necessary to restart the system (power off then power on).

Dopo ogni cambiamento nella programmazione del posto esterno, del videocitofono o del relè, è necessario togliere l'alimentazione al sistema e ripristinarla affinché le variazioni vengano recepite dai rispettivi dispositivi.

Après chaque modification de la programmation du poste de rue, du vidéophone ou de tout autre appareil connecté au système, il est nécessaire de redémarrer le système (mise hors tension puis sous tension).

Titolo: **ESVKC-1/KRV782, ESVKC-1S/KRV782 Two Way Videokit**

Titolo: **ESVKC-1/KRV782, ESVKC-1S/KRV782 Videokit Bifamiliare**

Videx Electronics S.p.A.
 Via del Lavoro 1, 63846 Monte Giberto (FM)
 Phone: +39 0734 631669 - Fax: +39 0734 631669
 www.videx.it - info@videx.it

Notes:

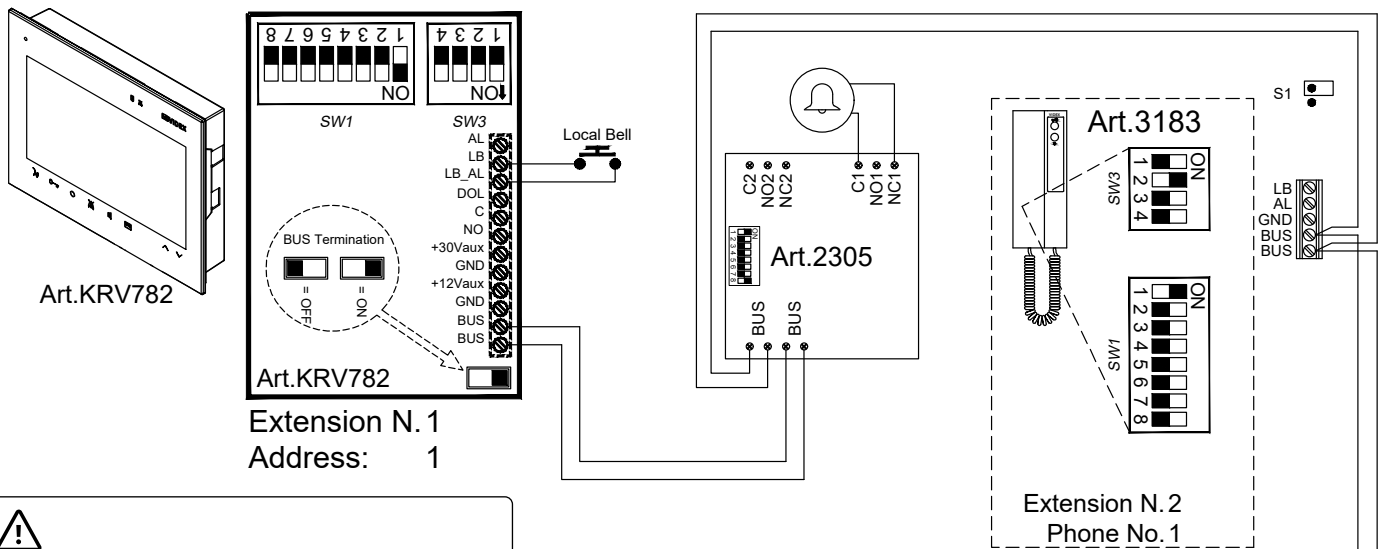
Note:

Data creazione: **15/06/2020**

Data modifica: **27/10/2020**

Autore: **Marco Rongoni**

Cod. File: **4384-kr7-004.dwg**



Extension N. 1
Address: 1

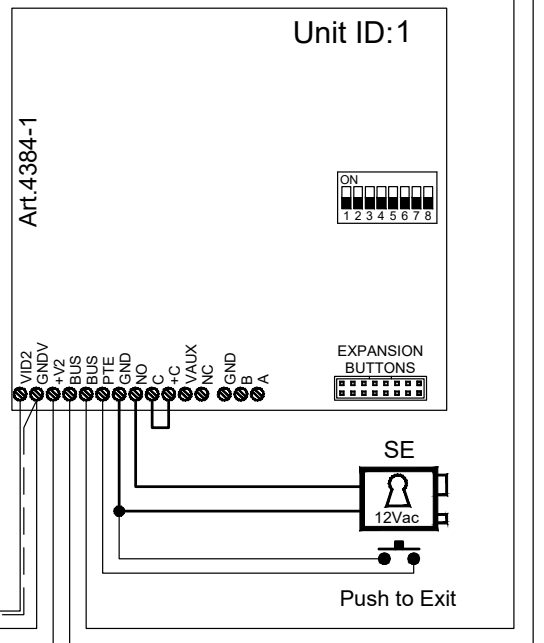
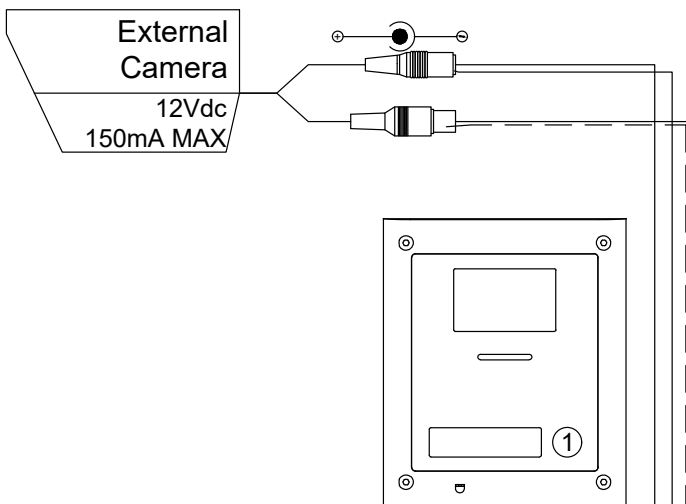
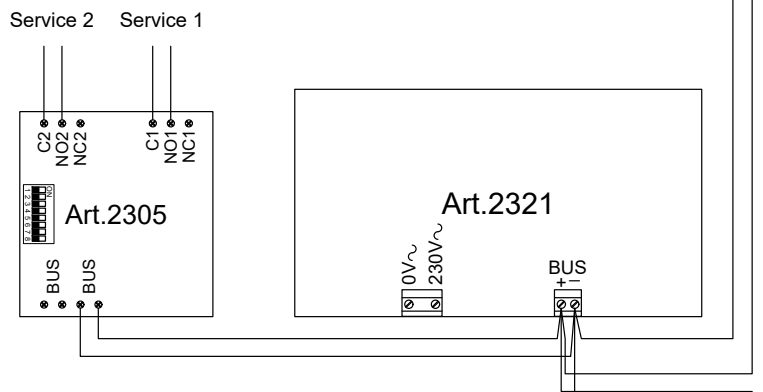
Extension N. 2
Phone No. 1



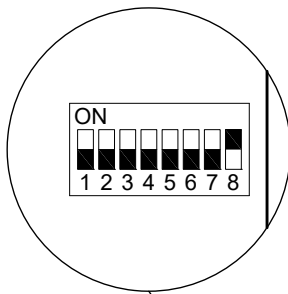
After each change on the programming of the door station, videophone or any other device connected to the system it is necessary to restart the system (power off then power on).

Dopo ogni cambiamento nella programmazione del posto esterno, del videocitofono o del relè, è necessario togliere l'alimentazione al sistema e ripristinarla affinché le variazioni vengano recepite dai rispettivi dispositivi.

Après chaque modification de la programmation du poste de rue, du vidéophone ou de tout autre appareil connecté au système, il est nécessaire de redémarrer le système (mise hors tension puis sous tension).



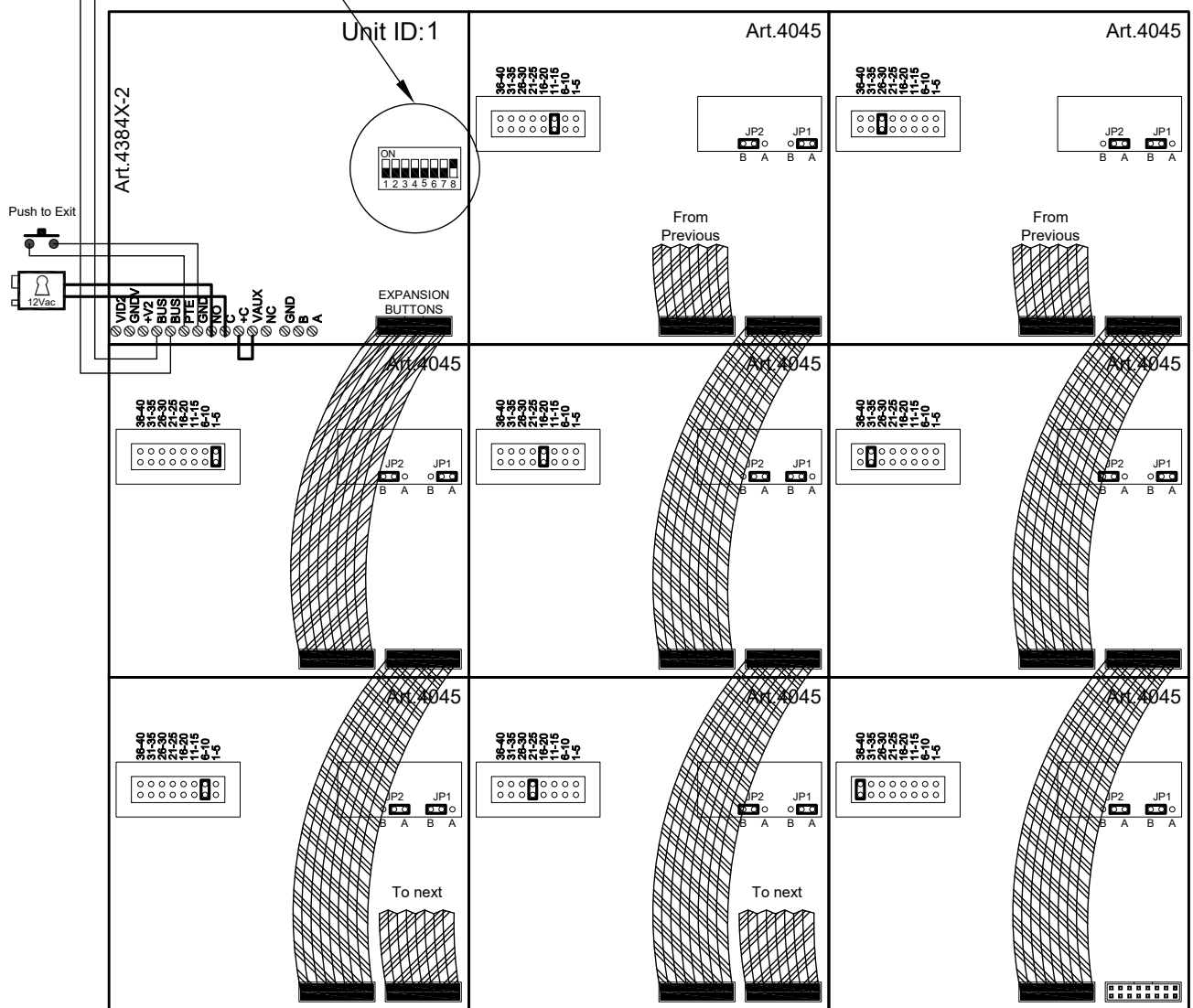
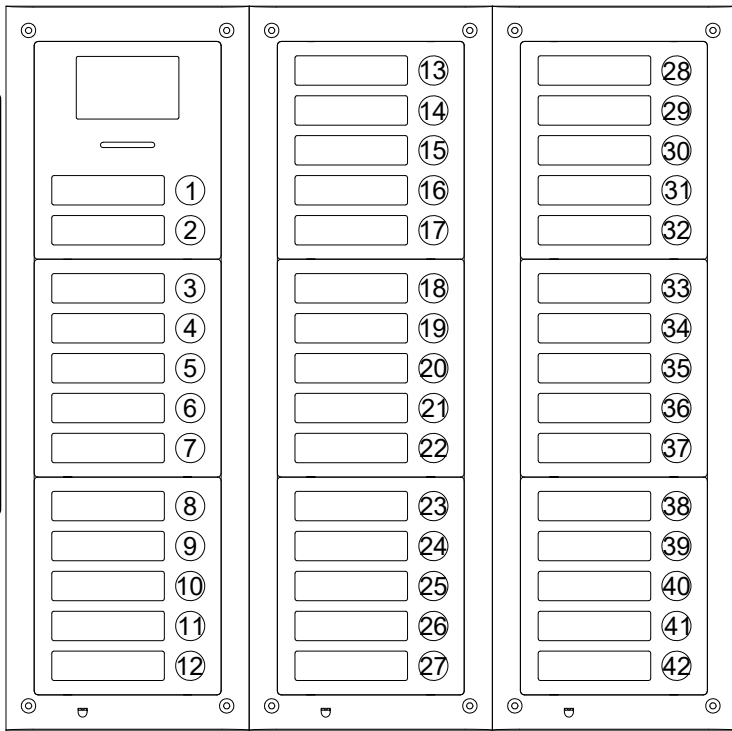
Titolo: ESVK-1/KRV782, ESVK-1S/KRV782 One Way Videokit with additional intercom, relay to control an additional sounder, relay for two additional services and external camera		Data creazione: 15/06/2020	Foglio 1 / 1
Titolo: ESVK-1/KRV782, ESVK-1S/KRV782 Videokit Monofamiliare con citofono addizionale, relè per l'estensione della suoneria, relè per due servizi addizionali e telecamera esterna		Data modifica: 27/10/2020	
Autore: Marco Rongoni			
Cod. File: 4384-kr7-005.dwg			



Enable advanced programming so to set the specific address for each button according to the system requirements.

Abitilare la modalità di programmazione avanzata per poter impostare gli indirizzi di ciascun pulsante secondo necessità.

Permettre une programmation avancée afin de définir l'adresse spécifique de chaque bouton en fonction des exigences du système.



Title: ESVK videokit expanded up to 12 apartments system		Data creazione: 09/06/2020		Foglio 1 / 1	
Titolo: Videokit ESVK con espansione fino a 12 appartamenti		Data modifica: 09/06/2020			
Videx Electronics S.p.A. Via del Lavoro 1, 63846 Monte Giberto (FM) Phone: +39 0734 631669 - Fax +39 0734 631669 www.videx.it - info@videx.it		Notes: . Note: .		Autore: Marco Rongoni Cod.File: 404x.dwg	

ENG DISPOSAL

In accordance with the Legislative Decree no. 49 of 14 March 2014 "Implementation of the Directive 2012/19/EU on waste electrical and electronic equipment (WEEE)".

The crossed-out bin symbol on the equipment or on the packaging indicates that when the product reaches the end of its lifetime, it must be collected separately from mixed municipal waste. The user must, therefore, dispose of the equipment at the end of its lifetime in the suitable waste collection centres or bring it to the retailer during the purchase of a new equipment of equivalent type at the ratio of one-to-one. Furthermore, the user is allowed to dispose of the WEEEs of very small size (domestic appliances without any external dimension exceeding 25 cm (9.84 inches) for free to the retailers, without any purchase obligation. The correct waste disposal of the WEEEs contributes to their reuse, recycling and recovery and avoids potential negative effects on the environment and human health due to the possible presence of dangerous substances within them.



ITA SMALTIMENTO

Ai sensi del Decreto Legislativo 14 marzo 2014, n° 49 "Attuazione della direttiva 2012/19/UE sui rifiuti di apparecchiature elettriche ed elettroniche (RAEE)".

Il simbolo del cassonetto barrato riportato sull'apparecchiatura o sulla sua confezione indica che il prodotto alla fine della propria vita utile deve essere raccolto separatamente dagli altri rifiuti urbani misti. L'utente dovrà, pertanto, conferire l'apparecchiatura giunta a fine vita presso gli idonei centri di raccolta differenziata oppure riconsegnarla al rivenditore al momento dell'acquisto di una nuova apparecchiatura di tipo equivalente, in ragione di uno a uno. L'utente ha, inoltre, la possibilità di conferire gratuitamente presso i distributori, senza alcun obbligo di acquisto, per i RAEE di piccolissime dimensioni (per le apparecchiature di tipo domestico con nessuna dimensione esterna superiore a 25 cm).

L'adeguata raccolta differenziata dei RAEE contribuisce al loro riutilizzo, riciclaggio e recupero ed evita potenziali effetti negativi sull'ambiente e sulla salute umana dovuti alla eventuale presenza di sostanze pericolose al loro interno.

FRA ÉLIMINATION

Conformément au décret législatif n° 49 du 14 mars 2014 relatif à l'« Application de la directive 2012/19 / UE relative aux déchets d'équipements électriques et électroniques (DEEE) ».

Le symbole de la poubelle barrée sur l'équipement ou sur son emballage indique que le produit en fin de vie utile doit être collecté séparément des autres déchets municipaux en mélange. L'utilisateur doit donc remettre l'équipement en fin de vie aux centres de collecte appropriés ou le restituer au revendeur lors de l'achat d'un nouveau type d'équipement équivalent, dans le rapport de un à un. De plus, l'utilisateur a la possibilité de conférer gratuitement aux distributeurs, sans aucune obligation d'achat, de très petits DEEE (pour les appareils ménagers sans dimensions extérieures supérieures à 25 cm). La collecte séparée adéquate des DEEE contribue à leur réutilisation, leur recyclage et leur valorisation et évite les éventuels effets négatifs sur l'environnement et la santé humaine en raison de la présence possible de substances dangereuses dans ceux-ci.

SPA ELIMINACIÓN

De conformidad con el Decreto legislativo n. 49 de 14 de marzo 2014 "Aplicación de la Directiva 2012/19/UE relativa a residuos de aparatos eléctricos y electrónicos (RAEE)".

El símbolo del contenedor tachado indicado sobre los aparatos o sobre los embalajes señala que el producto al final de su vida útil debe ser recogido separadamente de otros residuos municipales mezclados. Por tanto, el usuario deberá conferir los aparatos al final de su vida útil en los apropiados centros de recogida selectiva o devolverlos al revendedor al momento de la compra de nuevos aparatos equivalentes, en una relación de uno a uno. Además, el usuario tiene la posibilidad de entregar sin cargo a los distribuidores, sin ninguna obligación de compra, los RAEEs muy pequeños (para electrodomésticos sin dimensiones externas superiores a 25 cm).

La recogida selectiva apropiada de los RAEEs contribuye a su reutilización, reciclaje y valorización y evita potenciales impactos negativos sobre el medio ambiente y la salud humana debidos a la posible presencia de sustancias peligrosas dentro de ellos.

NLD VERWIJDERING

In overeenstemming met het Wetsbesluit nr. 49 van 14 maart 2015 "Implementatie van de Richtlijn 2012/19/EU inzake afgedankte elektrische en elektronische apparaten (AEEA)".

Het doorgekruiste vuilnisbaksymbool op het apparaat of de verpakking geeft aan dat het product aan het einde van zijn levensduur niet samen met het gewone huisvuil weggegooid mag worden. De gebruiker moet het apparaat aan het einde van zijn levensduur inleveren bij een gepast inzamelpunt of de winkel waar hij een nieuw apparaat van een gelijksoortig type zal kopen. De gebruiker kan tevens AEEA's van een zeer klein formaat (huishoudapparaten met een buitenafmeting kleiner dan 25 cm (9,84 inch) gratis en zonder enige aankoopverplichting bij handelaars inleveren. Een juiste verwijdering van AEEA's draagt bij tot hergebruik, recycling en terugwinning, en voorkomt potentiële negatieve effecten op het milieu en de menselijke gezondheid door de mogelijke aanwezigheid van gevaarlijke stoffen.

POR ELIMINAÇÃO

De acordo com o Decreto Legislativo n.º 49 de 14 de março de 2014 "Implementação da Diretiva 2012/19/UE relativa aos resíduos de equipamentos elétricos e eletrónicos (REEE)".

O símbolo do caixote do lixo riscado no equipamento ou na embalagem indica que quando o produto atinge o fim da sua vida útil, deve ser recolhido separadamente dos resíduos urbanos mistos. O utilizador deve, portanto, eliminar o equipamento no final da sua vida útil nos centros de recolha de resíduos adequados ou levá-lo ao vendedor durante a compra de um novo equipamento de tipo equivalente, na proporção de um para um. Além disso, o utilizador pode eliminar gratuitamente os REEE de dimensões muito reduzidas aos vendedores, sem qualquer obrigação de compra. (só aparelhos domésticos sem qualquer dimensão externa que exceda 25 cm, ou seja 9,84 polegadas). A correta eliminação dos REEE contribui para a sua reutilização, reciclagem e recuperação e evita potenciais efeitos negativos sobre o ambiente e a saúde humana devido à possível presença de substâncias perigosas no seu interior.

MANUFACTURER FABBRICANTE FABRICANT FABRICANTE FABRIKANT FABRICANTE الشركة المصنعة	VIDEX ELECTRONICS S.P.A. Via del Lavoro, 1 63846 Monte Giberto (FM) Italy Tel (+39) 0734 631669 Fax (+39) 0734 632475 www.videx.it - info@videx.it	
CUSTOMER SUPPORT SUPPORTO CLIENTI SUPPORTS CLIENTS ATENCIÓN AL CLIENTE KLANTENDIENST APOIO AO CLIENTE خدمة العملاء	VIDEX ELECTRONICS S.P.A. www.videx.it - technical@videx.it Tel: +39 0734-631669 Fax: +39 0734-632475	UK Customers only: VIDEX SECURITY LTD www.videxuk.com Tech Line: 0191 224 3174 Fax: 0191 224 1559

Main UK office:
VIDEX SECURITY LTD
 1 Osprey Trinity Park
 Trinity Way
 LONDON E4 8TD
 Phone: (+44) 0370 300 1240
 Fax: (+44) 020 8523 5825
 www.videxuk.com
 marketing@videxuk.com

Greece office:
VIDEX HELLAS Electronics
 48 Filolaou Str.
 11633 ATHENS
 Phone: (+30) 210 7521028
 (+30) 210 7521998
 Fax: (+30) 210 7560712
 www.videx.gr
 videx@videx.gr

Benelux office:
NESTOR COMPANY NV
 E3 laan, 93
 B-9800 Deinze
 Phone: (+32) 9 380 40 20
 Fax: (+32) 9 380 40 25
 www.videx.be
 info@videx.be

Northern UK office:
VIDEX SECURITY LTD
 Unit 4-7
 Chillingham Industrial Estate
 Chapman Street
 NEWCASTLE UPON TYNE - NE6 2XX
 Tech Line: (+44) 0191 224 3174
 Phone: (+44) 0370 300 1240
 Fax: (+44) 0191 224 1559

Danish office:
VIDEX DANMARK
 Hammershusgade 15
 DK-2100 COPENHAGEN
 Phone: (+45) 39 29 80 00
 Fax: (+45) 39 27 77 75
 www.videx.dk
 videx@videx.dk

Dutch office:
NESTOR COMPANY BV
 Business Center Twente (BCT)
 Grotestraat, 64
 NL-7622 GM Borne
 www.videxintercom.nl
 info@videxintercom.nl



The product is CE marked demonstrating its conformity and is for distribution within all member states of the EU with no restrictions. This product follows the provisions of the European Directives 2014/30/EU (EMC); 2014/35/EU (LVD); 2011/65/EU (RoHS); CE marking 93/68/EEC.

Le produit est marqué CE à preuve de sa conformité et peut être distribué librement à l'intérieur des pays membres de l'union européenne UE.
 Ce produit est conforme aux directives européennes 2014/30/EU (EMC) ; 2014/35/EU (LVD) ; 2011/65/EU (RoHS) : marquage CE 93/68/EEC.

Het product heeft de CE-markering om de conformiteit ervan aan te tonen en is bestemd voor distributie binnen de lidstaten van de EU zonder beperkingen. Dit product volgt de bepalingen van de Europese Richtlijnen 2014/30/EU (EMC); 2014/35/EU (LVD); 2011/65/EU (RoHS); CE-markering 93/68/EEG.

يحمل المنتج علامة التوافق الأوروبي CE لإظهار توافقه مع المواصفات ذات الصلة وإمكانية توزيعه في كافة دول الاتحاد الأوروبي بدون أية قيود. يلبي هذا المنتج جميع متطلبات التوجيهات الأوروبية 2014/30/UE (EMC) ; 2014/35/UE (LVD) ; 2011/65/UE (RoHS) : علامة المطابقة للمواصفات الأوروبية 93/68/EEC.

Il prodotto è marchiato CE a dimostrazione della sua conformità e può essere distribuito liberamente all'interno dei paesi membri dell'Unione Europea UE.
 Questo prodotto è conforme alle direttive Europee: 2014/30/UE (EMC); 2014/35/UE (LVD); 2011/65/UE (RoHS); marcatura CE 93/68/EEC.

El producto lleva la marca CE que demuestra su conformidad y puede ser distribuido en todos los estados miembros de la unión europea UE.
 Este producto cumple con las Directivas Europeas 2014/30/EU (EMC); 2014/35/EU (LVD); 2011/65/EU (RoHS); marca CE 93/68/EEC.

O produto tem a marca CE que demonstra a sua conformidade e destina-se a distribuição em todos os estados membros da UE, sem restrições. Este produto segue as disposições das Diretivas Europeias 2014/30/UE (EMC); 2014/35/UE (LVD); 2011/65/UE (RoHS); marcação CE 93/68/EEG.

