



Max. leaf weight

500 Kg

Max speed

12 m/min.

Use frequency

30%

- Easy programming thanks to the display and to the prewired control unit
- Magnetic limit switch.
- Integrated encoder with reverse function upon obstacle detection and specific management in opening and slow down

**DIMENSIONS AND TECHNICAL SPECIFICATIONS**

Model	740 E Z16 with encoder
Power supply voltage	220-240V~ 50/60 Hz
Electric motor	Asynchronous single phase
Max. power	350 W
Max. torque	18 Nm (*)
Max expressed force	450 N (*)
Reduction ratio	1:25
Max. leaf width	15 m
Leaf speed	12 m/min
Speed adjustment and motor control	No
Limit switch	Magnetic
Pinion	Z16 module 4
Encoder	Optical encoder
Force adjustment	Via electronic control board
Operating ambient temperature	-20°C ÷ +55°C
Thermal protection	140°C
Protection class	IP44
Weight	10 kg
Dimensions (LxDxH)	295 x 181 x 320 mm
Max. leaf weight	500 Kg
Use frequency	S3 - 30%
Electronic equipment	740D incorporated

(*) data referred to 230V~ 50Hz.

FAMILY MODELS

Model	Item code
740 E Z16 with encoder	1097805

PACKS

740 includes: an electromechanical gearmotor with 740D control unit, encoder for anti-crushing safety device, pinion for rack, two release keys, foundation plate, limit switch magnets.

Typical Installation Examples page. 328

ELECTRONIC CONTROL UNITS



740D (incorporated in automation)
Info at page 140

202269

RACKS



Galvanised rack 30x12 mod. 4 including weld-on fittings (4 pcs pack, 1 m each)

490122



Galvanised rack 30x8 mod. 4 including weld-on fittings (4 pcs pack, 1 m each)

490123



Galvanised rack 30x12 mod. 4 including mechanical fittings (4 pcs pack, 1 m each)

490124

>>



Galvanised rack 30x8 mod. 4 including mechanical fittings (4 pcs pack, 1 m each)

490125



30x20 mod.4 nylon rack with steel core (4 pcs pack, 1 m each)*

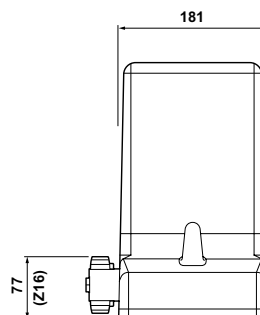
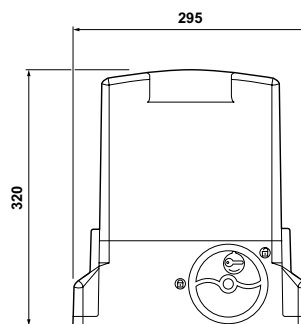
490333



Kit of 4 fastening screws to be screwed in (package of 4 kits) to be combined with 1 m of 490333

390178

INSTALLATION DIMENSIONS (MM)



For any other configuration please refer to the technical manual

NOTE

◆ Max gate weight: 400kg.

OTHER ACCESSORIES

Key operated buttons
page 174

Safety edges
page 185

Transmitters and receivers
page 166

Photocells and columns
page 182

Flashing lights
page 191

Various accessories
page 192