

Blizzard 24V



integrated encoder



Simple release device with key (optional)

Die-cast aluminium basemant

GEARMOTOR FOR SLIDING GATES

- Available versions for gates up to 400-800 Kg.
- Complete movement control and effective reverse on obstacle response.
- Magnetic Limit Switches.
- Electronic control board with transparent plastic enclosure and external programming buttons.
- Huge selection of operating logics and working parameters.
- Compact dimensions.
- Big internal space for wiring; easy operator height and depth installation adjustments.

Code	Name	Version	Voltage	Leaf Weight	Use
6110080*	BLIZZARD 400 C ENC	Non-reversible - Sprint M24 on board	24V	400 kg	Residential/Condominium
6110084**	BLIZZARD 800 C ENC	Non-reversible - Sprint M24 on board	24V	800 kg	Residential/Condominium

* Available from March 2018.

** Availability to be confirmed.

OPERATOR DIMENSIONS

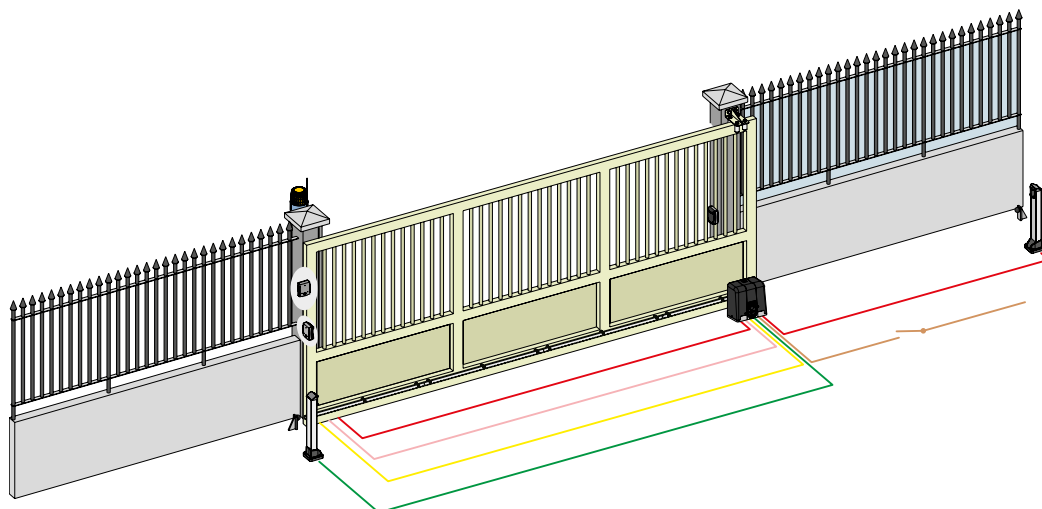


Technical Specifications	Blizzard 400 C ENC	Blizzard 800 C ENC
Power supply (V)		230
Electric motor (V)		24
Nominal power (W)		140
Max thrust force (N)	310	410
Type of pinion gear		Z16 mod.4
Leaf speed (m/min)		12
Use frequency		Continuous
Operating ambient temperature (°C)		-20 +55
Protection class		IP44
Weight (kg)		7

CONTROL BOARDS

Sprint M24

Page 72



- Line3x1,5 mm²
- Flashing lamp2x1,5 mm²
- Selector2x0,5 mm²
- TX photocells2x0,5 mm²
- RX photocells4x0,5 mm²

TYPICAL INSTALLATION EXAMPLE

Q.ty	Material description	Part number
1	BLIZZARD 400 C ENC Gearmotor with incorporated control board and encoder	6110080
1	Foundation Plate	737000
4 m	Galvanised Rack 30x12 with weld-on fittings	JA146
1	RQFZ 868 MHz Frequency Module	6100146
1	Two-channels transmitter KILO TX2 JLC	6100332
1	230 V GUARD flashing lamp	6100052
1	Pair of VEGA BUS Photocells	6100148
1	QUICK 1 key-operated selector for outdoor use	JA31101-15

Material to add in order to get the configuration as per Wiring Diagram

Q.ty	Material description	Part number
1	Pair of ORION photocells	JA310
2	Column for photocell	JA325
2	Foundation plate for column	JA328

ACCESSORIES



RACK
1 m. in galvanized iron 30 x 12 mm¹.

Code **JA146**



RACK³
1 m in nylon with steel core 30 x 12 mm¹.

Code **JA221**



NYLON RACK 30x20 MOD. 4
pack of 4 pieces, 1 m ea.

Code **6100344**



SPACERS
Kit of 3 spacers and M8x30 screw-on fastening screws for 1 meters of iron rack²

Code **JA147**



SPACERS
Kit of 3 spacers and M8x50 screw-on fastening screws for 1 meters of iron rack²

Code **JA148**



SCREWS³
Kit of 24 fastening screw-on screws

Code **JA222**



SCREWS
Kit of 16 screw-in fastening screws

Code **6100345**



LOCK
Lock with personalized key

Code **424413**



FOUNDATION PLATE

Code **737000**



ADAPTER PLATE BLIZZARD-MILORD

Code **737001**



ADAPTER PLATE BLIZZARD - FALCON

Code **737003**



BATTERY KIT
With recharging board.

Code **6100144**

1 - 6 m package.
2 - 6 kits package.
3 - accessory available while stocks last.

KIT FOR MAGNETIC LIMIT SWITCHES FIXING

Code **6100343**